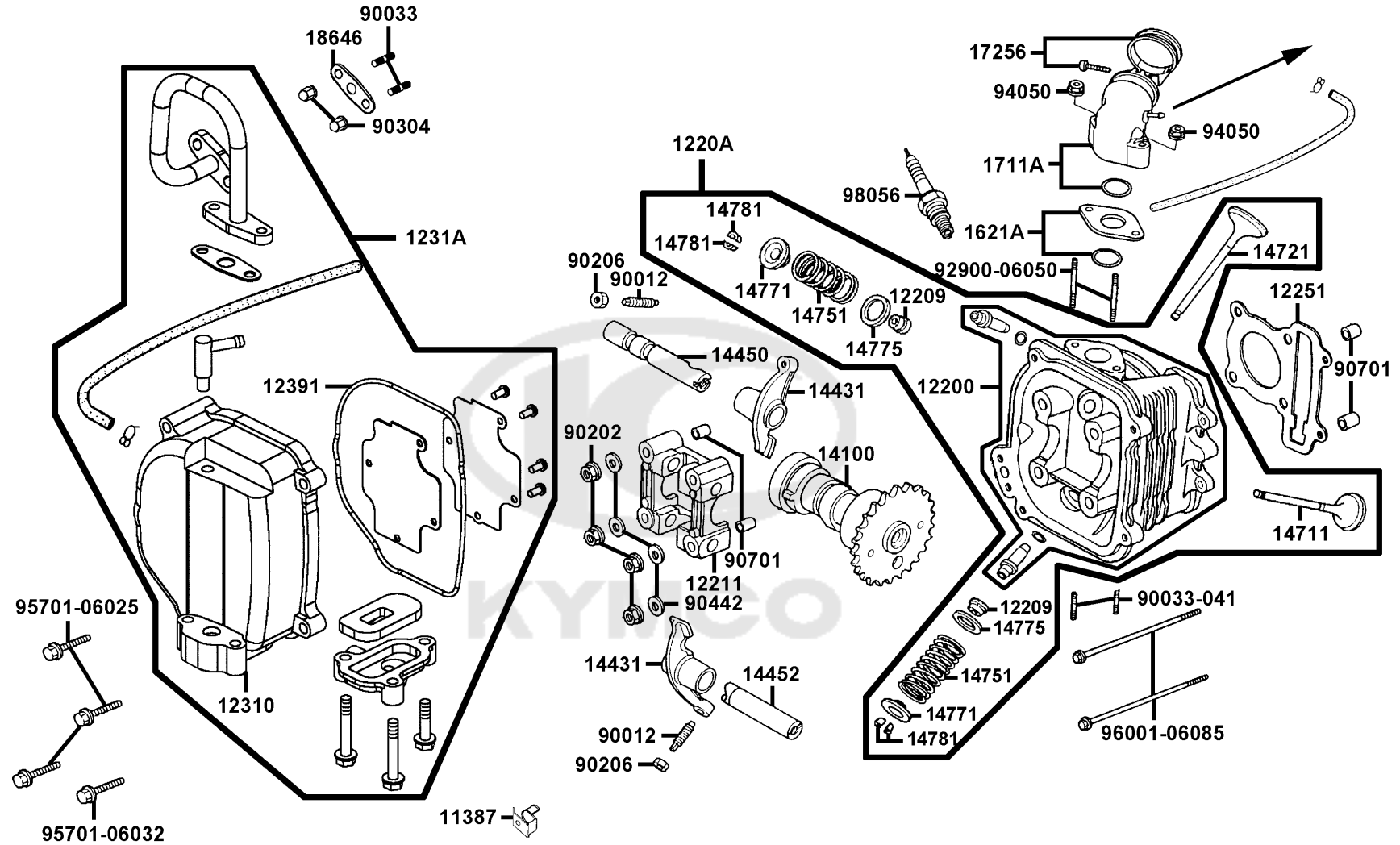


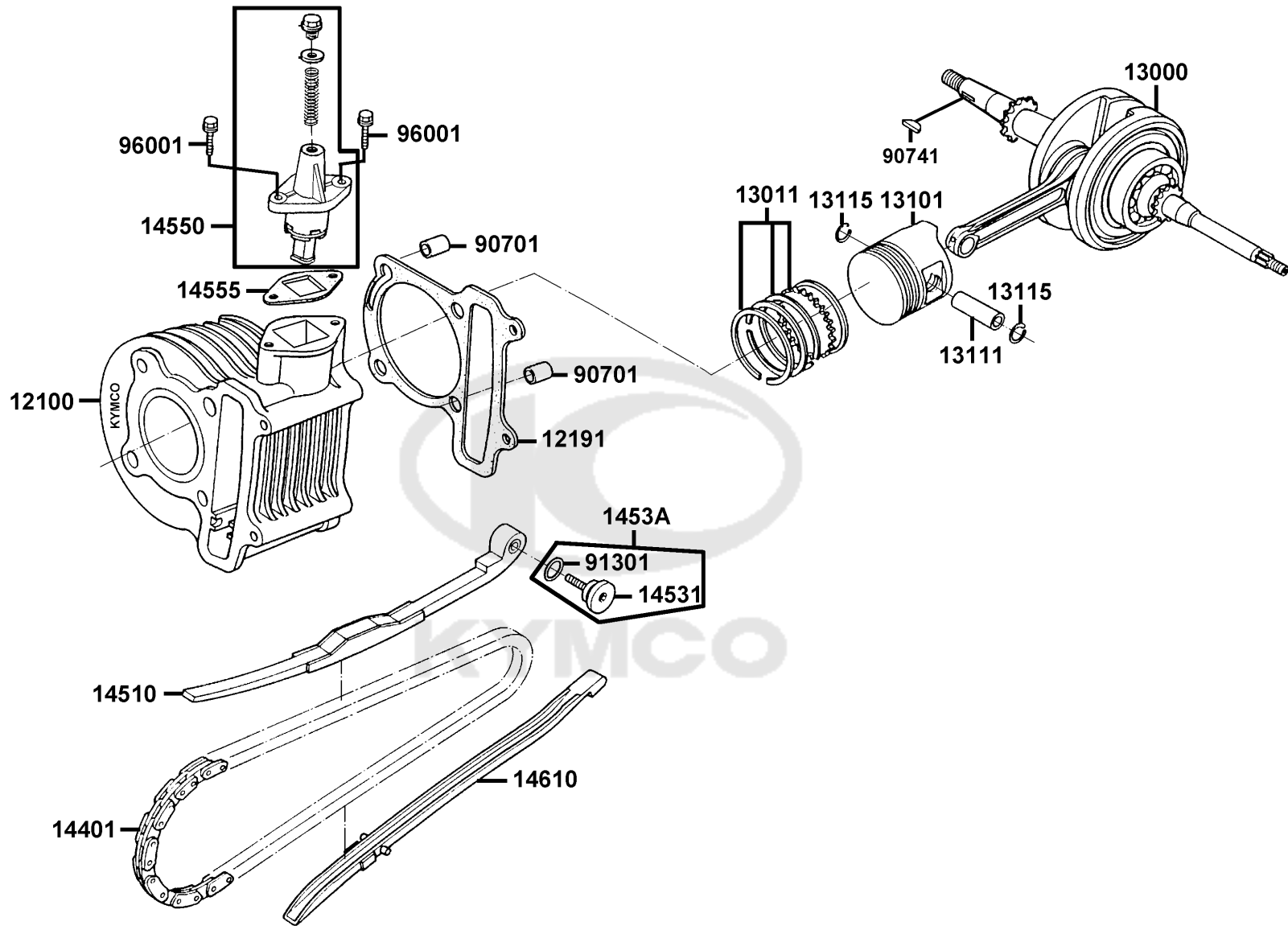
Sales mark	Ref no	Part no	Description	Reg description	Regd no	E01
	11100	11100-KGBG-C00	"CRANK CASE COMP.,R"	"CRANK CASE COMP.,R"	1	
	11102	11102-1G87-C00	RUB BUSH ENG HANGER	RUB BUSH ENG HANGER	1	
	11192	11192-KGBG-C10	GASKET CRANK CASE @ A	GASKET CRANK CASE @ A	1	
	11200	11200-LBD6-C00	CRANK CASE COMP LEFT	CRANK CASE COMP LEFT	1	
**	11340	11340-LBD6-E00	COVER L SIDE	COVER L SIDE	1	
	11381	11381-KHC4-C00	CLAMPER THROTTLE CABLE	CLAMPER THROTTLE CABLE	1	
	11382	11382-LBD6-C00	CLAMPER BRAKE CABLE	CLAMPER BRAKE CABLE	1	
	11395	11395-LBD6-C00	GASKET L COVER	GASKET L COVER	1	
	2823A	2823A-LBD6-C00	GEAR ASSY KICK DRIVEN	GEAR ASSY KICK DRIVEN	1	
	28250	28250-GBN2-C00	SPINDLE COMP KICK STARTER	SPINDLE COMP KICK STARTER	1	
	28253	28253-GBN2-C00	SPRING KICK STARTER RATCHET	SPRING KICK STARTER RATCHET	1	
	28255	28255-GFS6-C00	COLLAR KICK BOSS	COLLAR KICK BOSS	1	
	28281	28281-GBN2-C00	SPRING KICK RETURN	SPRING KICK RETURN	1	
	9000A	9000A-KTDT-C00	BOLT ASSY SPECIAL 6*29.5	BOLT ASSY SPECIAL 6*29.5	1	
	90031	90031-KGBG-C00	BOLT A STUD 7x168	BOLT A STUD 7x168	1	
	90032	90032-KGBG-C00	BOLT B STUD 7x176	BOLT B STUD 7x176	1	
	90451	90451-GBN2-C00	WASHER KICK SPINDLE	WASHER KICK SPINDLE	1	
	90474	90474-3C33-C00	WASHER 8MM(T*2)	WASHER 8MM(T*2)	1	
	9052A	9052A-GFY6-C00	BOLT ASSY DRAIN PLUG	BOLT ASSY DRAIN PLUG	1	
	91004-KBN2	91004-KBN2-C00	BRG BALL RADIAL 6201	BRG BALL RADIAL 6201	1	

Sales mark	Ref no	Part no	Description	Reg description	Regd no	E01
	91004-KNBN	91004-KNBN-C00	BRG BALL RADIAL 6203 SPC	BRG BALL RADIAL 6203 SPC	1	
	91201	91201-GFY6-C00	OIL SEAL 19.8*30*5	OIL SEAL 19.8*30*5	1	
	91204	91204-KNBN-C00	OIL SEAL 17*30*6	OIL SEAL 17*30*6	1	
	94301	94301-08140	DOWEL PIN 8*14	DOWEL PIN 8*14	4	
	94511	94511-14000	CIR CLIP EX 14	CIR CLIP EX 14	1	
	95701-08012	95701-08012-08	BOLT FLANGE 8*12 (C)	BOLT FLANGE 8*12 (C)	2	
	95701-08035	95701-08035-08	BOLT FLANGE 8*35 (C)	BOLT FLANGE 8*35 (C)	2	
	95701-08040	95701-08040-08	BOLT FLANGE 8*40 (C)	BOLT FLANGE 8*40 (C)	5	
	96001-06012	96001-06012-02	BOLT FLANGE SH 6*12 (Cr)	BOLT FLANGE SH 6*12 (Cr)	1	
	96001-06045	96001-06045-08	BOLT FLANGE SH 6*45 (C)	BOLT FLANGE SH 6*45 (C)	1	
	96100	96100-62033-00	BEARING BALL RADIAL 6203	BEARING BALL RADIAL 6203	1	

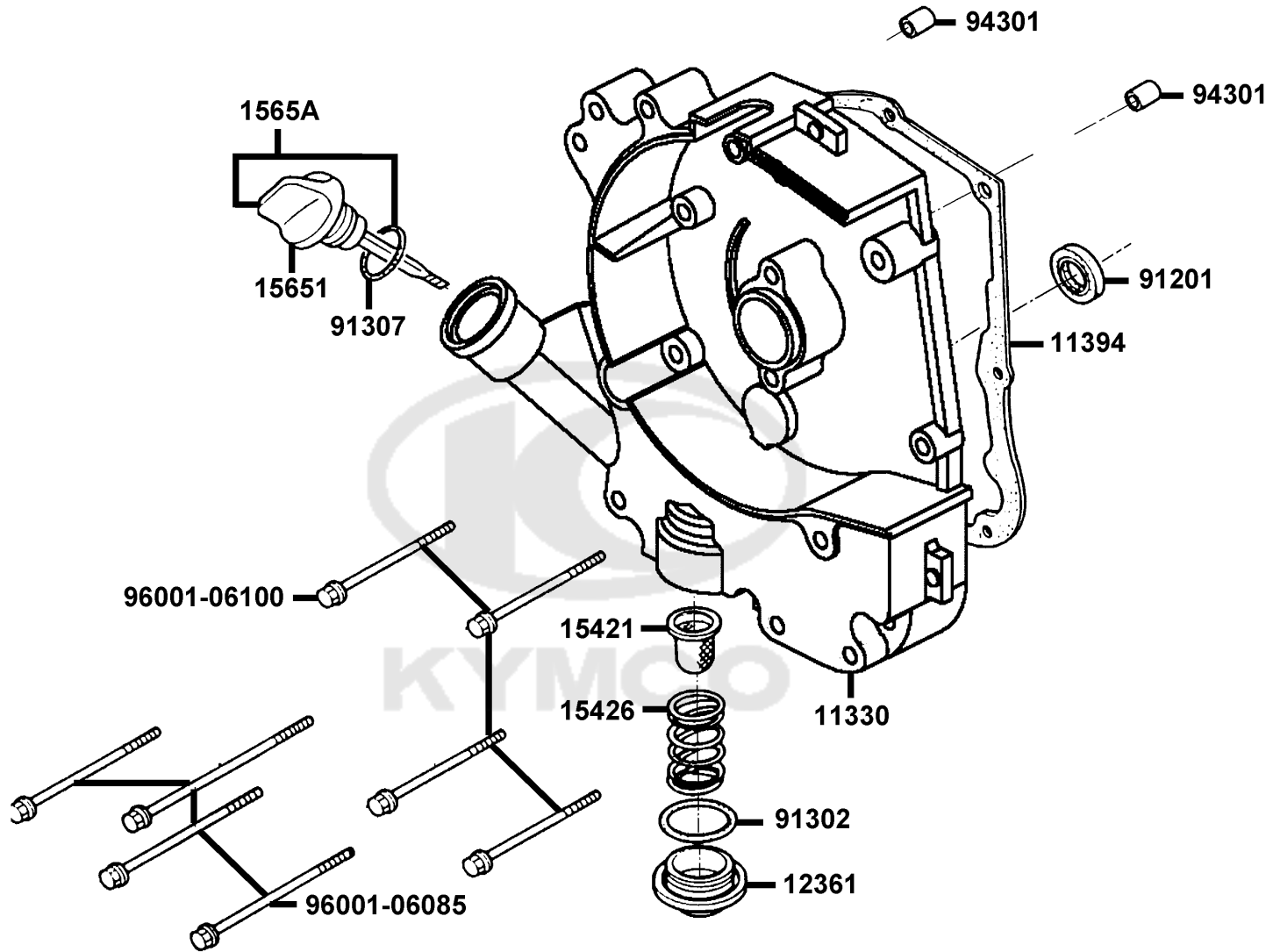


Sales mark	Ref no	Part no	Description	Reg description	Regd no	E02
11387		11387-KGBG-C00	CLAMPER BREATHER TUBE	CLAMPER BREATHER TUBE	1	
12200		12200-KGBG-C10	HEAD COMP CYLN	HEAD COMP CYLN	1	
12209		12209-GDB4-C00	SEAL VALVE STEM	SEAL VALVE STEM	1	
1220A		1220A-KGBG-910	HEAD COMP CYLINDER	HEAD COMP CYLINDER	1	
12211		12211-KGBG-C00	"HOLDER,CAM SHAFT"	"HOLDER,CAM SHAFT"	1	
12251		12251-KGBG-C00	GASKET CYLINDER HEAD	GASKET CYLINDER HEAD	1	
12310		12310-KHC5-C00	COVER COMP HEAD	COVER COMP HEAD	1	
1231A		1231A-KHC5-C10	COVER ASSY HEAD	COVER ASSY HEAD	1	
12391		12391-KEE1-C00	GASKET HEAD COVER	GASKET HEAD COVER	1	
14100		14100-KGBG-C00	SHAFT COMP. CAM	SHAFT COMP. CAM	1	
14431		14431-KGBG-W10	ARM VALVE ROCKER	ARM VALVE ROCKER	2	
14450		14450-KGBG-W10	SHAFT COMP IN ROCKER ARM	SHAFT COMP IN ROCKER ARM	1	
14452		14452-KGBG-W10	SHAFT EXH ROCKER ARM	SHAFT EXH ROCKER ARM	1	
14711		14711-KGBG-C00	VALVE INLET	VALVE INLET	1	
14721		14721-KGBG-C00	VALVE EXHAUST	VALVE EXHAUST	1	
14751		14751-KGBG-C00	SPRING VALVE OUTER	SPRING VALVE OUTER	1	
14771		14771-GDB4-C00	RETAINER VALVE SPRING	RETAINER VALVE SPRING	1	
14775		14775-MFA6-C00	SEAT VALVE SPG OUTER	SEAT VALVE SPG OUTER	1	
14781		14781-MFA6-C00	COTTER VALVE	COTTER VALVE	1	
1621A		1621A-KGBG-C00	INSULATOR CARB ASSY	INSULATOR CARB ASSY	1	

Sales mark	Ref no	Part no	Description	Reg description	Regd no	E02
1711A		1711A-LDC8-E11	"PIPE ASSY,INLET"	"PIPE ASSY,INLET"	1	
17256		17256-KGBG-C00	ELEMENT AIR CLEANER	ELEMENT AIR CLEANER	1	
18646		18646-LDC8-E10	GASKET A/I PIPE	GASKET A/I PIPE	1	
90012		90012-3C33-C00	BOLT HEX CAP	BOLT HEX CAP	1	
90033-041		90033-0A41-C00	BOLT STUD 6*32	BOLT STUD 6*32	1	
90033-GFY6		90033-GFY6-C10	"BOLT,STUD 6x16"	"BOLT,STUD 6x16"	1	
90202		90202-GFF6-011	NUT FLANGE 7M/M	NUT FLANGE 7M/M	4	
90206		90206-0A01-C00	NUT TAPPET ADJG	NUT TAPPET ADJG	1	
90304		90304-4H38-C00	NUT HEX CAP 6MM	NUT HEX CAP 6MM	1	
90442		90442-GFF6-C00	WASHER SEALING 7MM	WASHER SEALING 7MM	1	
90701		90701-GFF6-C00	PIN DOWEL SPECIAL 8*14	PIN DOWEL SPECIAL 8*14	1	
92900-06050		92900-06050-0B	BOLT STUD 6*50	BOLT STUD 6*50	1	
94050		94050-06080	NUT FLANGE 6MM (C)	NUT FLANGE 6MM (C)	2	
95701-06025		95701-06025-08	BOLT FLANGE 6*25 (C)	BOLT FLANGE 6*25 (C)	3	
95701-06032		95701-06032-08	BOLT FLANGE 6*32 (C)	BOLT FLANGE 6*32 (C)	1	
96001		96001-06085-08	BOLT FLANGE SH 6*85(C)	BOLT FLANGE SH 6*85(C)	2	
98056		98056-5771R	SPARK PLUG	SPARK PLUG	1	



Sales mark	Ref no	Part no	Description	Reg description	Regd no	E03
12100		12100-KGBG-A60	CYLINDER COMP	CYLINDER COMP	1	
12191		12191-KGBG-C10	GASKET CYLINDER @ A	GASKET CYLINDER @ A	1	
13000		13000-LDC5-C00	CRANK SHAFT COMP.	CRANK SHAFT COMP.	1	
13011		13011-KGBG-901	RING ASSY PISTON	RING ASSY PISTON	1	
13101		13101-LCB9-B20	PISTON	PISTON	1	
13111		13111-KGBG-C00	"PIN,PISTON"	"PIN,PISTON"	1	
13115		13115-0A01-C00	CLIP PISTON PIN	CLIP PISTON PIN	1	
14401		14401-KGBG-C00	CHAIN CAM	CHAIN CAM	1	
14510		14510-KGBG-C00	TENSIONER CAM CHAIN	TENSIONER CAM CHAIN	1	
14531		14531-GLR0-W10	PIVOT CAM CHAIN TENSIONER	PIVOT CAM CHAIN TENSIONER	1	
1453A		1453A-GFY6-W10	PIVOT CAM CHAIN SET	PIVOT CAM CHAIN SET	1	
14550		14550-LDC8-C10	ADJUSTER CAM CHAIN	ADJUSTER CAM CHAIN	1	
14555		14555-KKJ9-C10	GASKET CAM CHAIN ADJUSTER	GASKET CAM CHAIN ADJUSTER	1	
14610		14610-KGBG-C00	GUIDE COMP. CAM CHAIN	GUIDE COMP. CAM CHAIN	1	
90701		90701-GFF6-C00	PIN DOWEL SPECIAL 8*14	PIN DOWEL SPECIAL 8*14	1	
90741		90741-0E35-C00	KEY WOODRUFF	KEY WOODRUFF	1	
91301		91301-GLR0-W10	O-RING 15.2*1.5	O-RING 15.2*1.5	1	
96001		96001-06018-08	BOLT FLANGE SH 6*18 (C)	BOLT FLANGE SH 6*18 (C)	2	

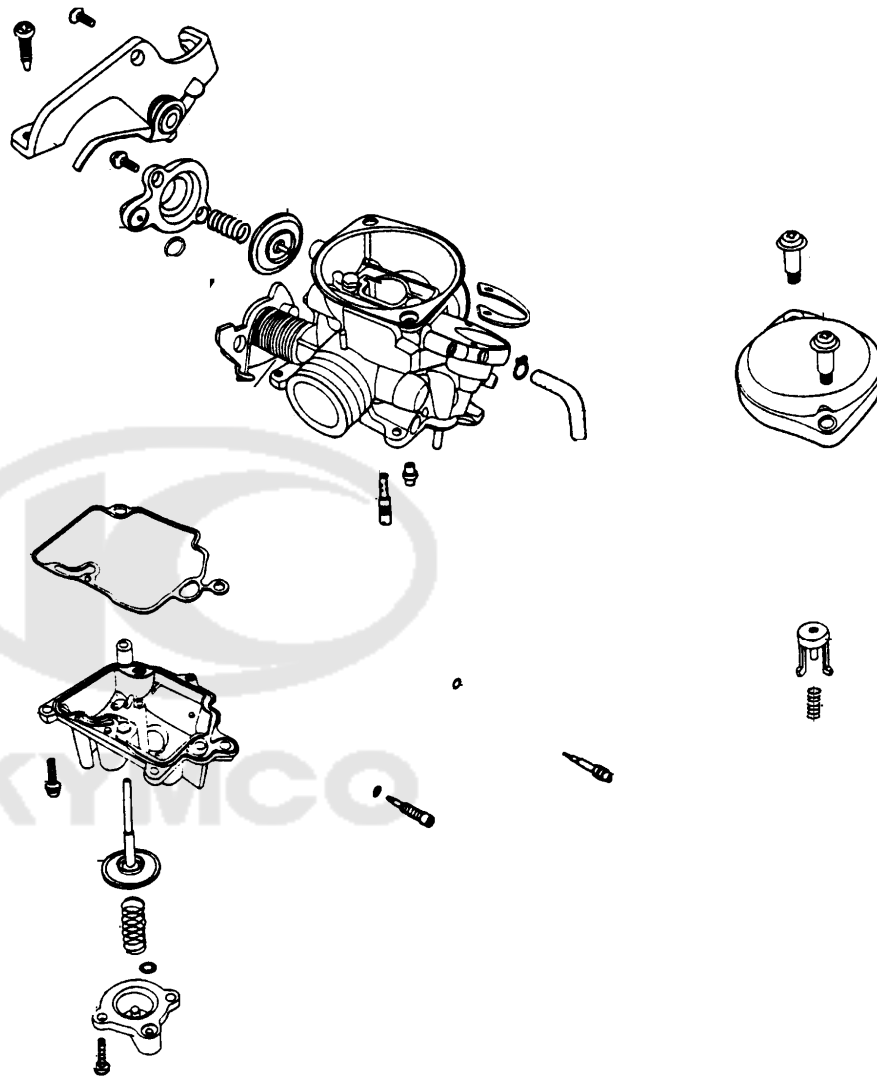


Sales mark	Ref no	Part no	Description	Reg description	Regd no	E04
11330		11330-LBD6-C00	COVER COMP R CRANK CASE	COVER COMP R CRANK CASE	1	
11394		11394-KGBG-C10	GASKET R COVER @A	GASKET R COVER @A	1	
12361		12361-GFY6-C00	"HOLE CAP,TAPPET ADJUSTING"	"HOLE CAP,TAPPET ADJUSTING"	1	
15421		15421-1G07-W10	SCREEN OIL FILTER	SCREEN OIL FILTER	1	
15426		15426-GAE1-C00	SPRING OIL FILTER SCREEN	SPRING OIL FILTER SCREEN	1	
15651		15651-LDC8-C10	GAUGE OIL LEVEL	GAUGE OIL LEVEL	1	
1565A		1565A-LDC8-C10	GAUGE OIL LEVEL ASSY	GAUGE OIL LEVEL ASSY	1	
91201		91201-KGBG-C00	"OIL SEAL, 16.4x30x5"	"OIL SEAL, 16.4x30x5"	1	
91302		91302-0A01-C00	O-RING 30.8mm	O-RING 30.8mm	1	
91307		91307-0E35-W10	O-RING 18*3	O-RING 18*3	1	
94301		94301-08140	DOWEL PIN 8*14	DOWEL PIN 8*14	2	
96001-06085		96001-06085-08	BOLT FLANGE SH 6*85(C)	BOLT FLANGE SH 6*85(C)	4	
96001-06100		96001-06100-08	BOLT FLANGE SH 6*100 (C)	BOLT FLANGE SH 6*100 (C)	4	

E05

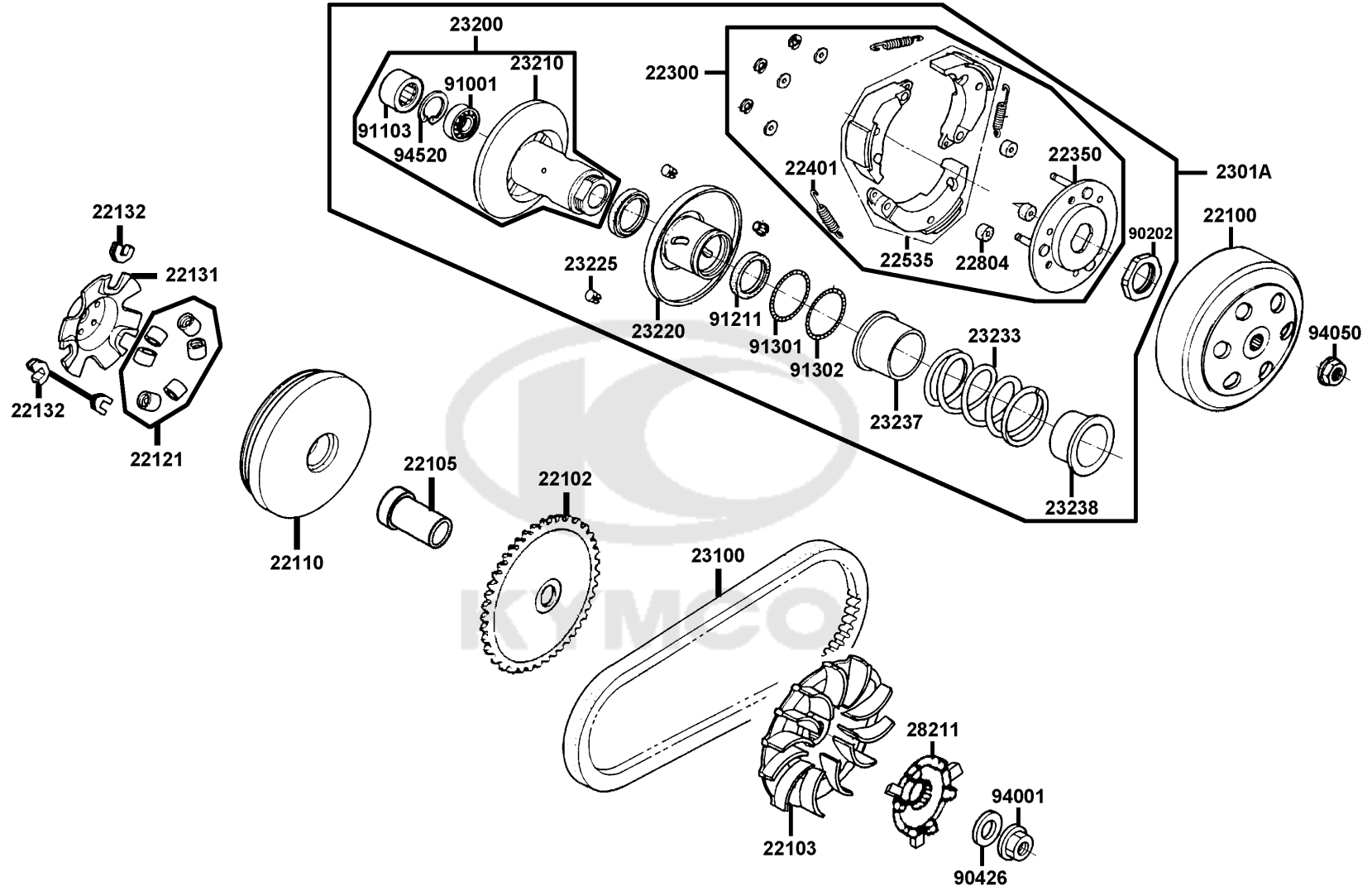
Carburetor

16100



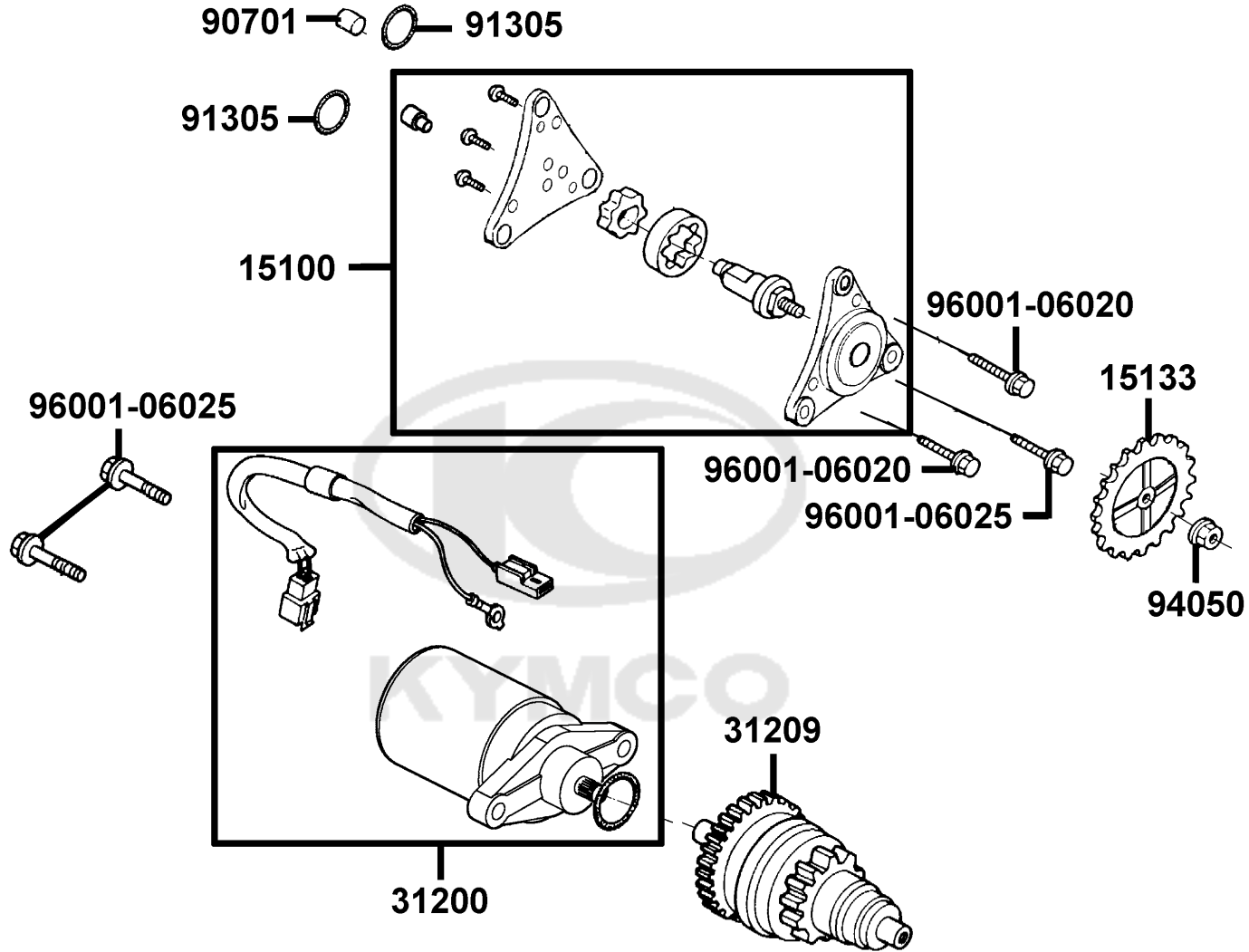
Sales mark	Ref no	Part no	Description	Reg description	Regd no	E05
16100	16100-ALA9-E70	CARBURETOR ASSY	CARBURETOR ASSY	1		



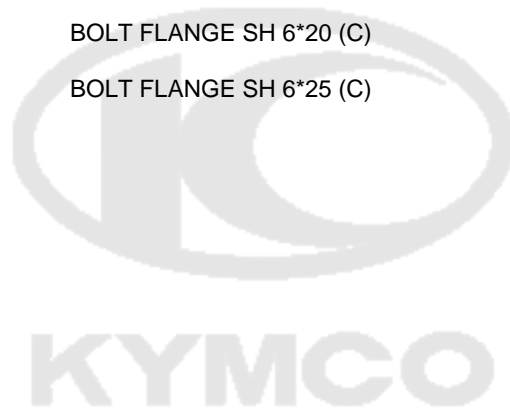


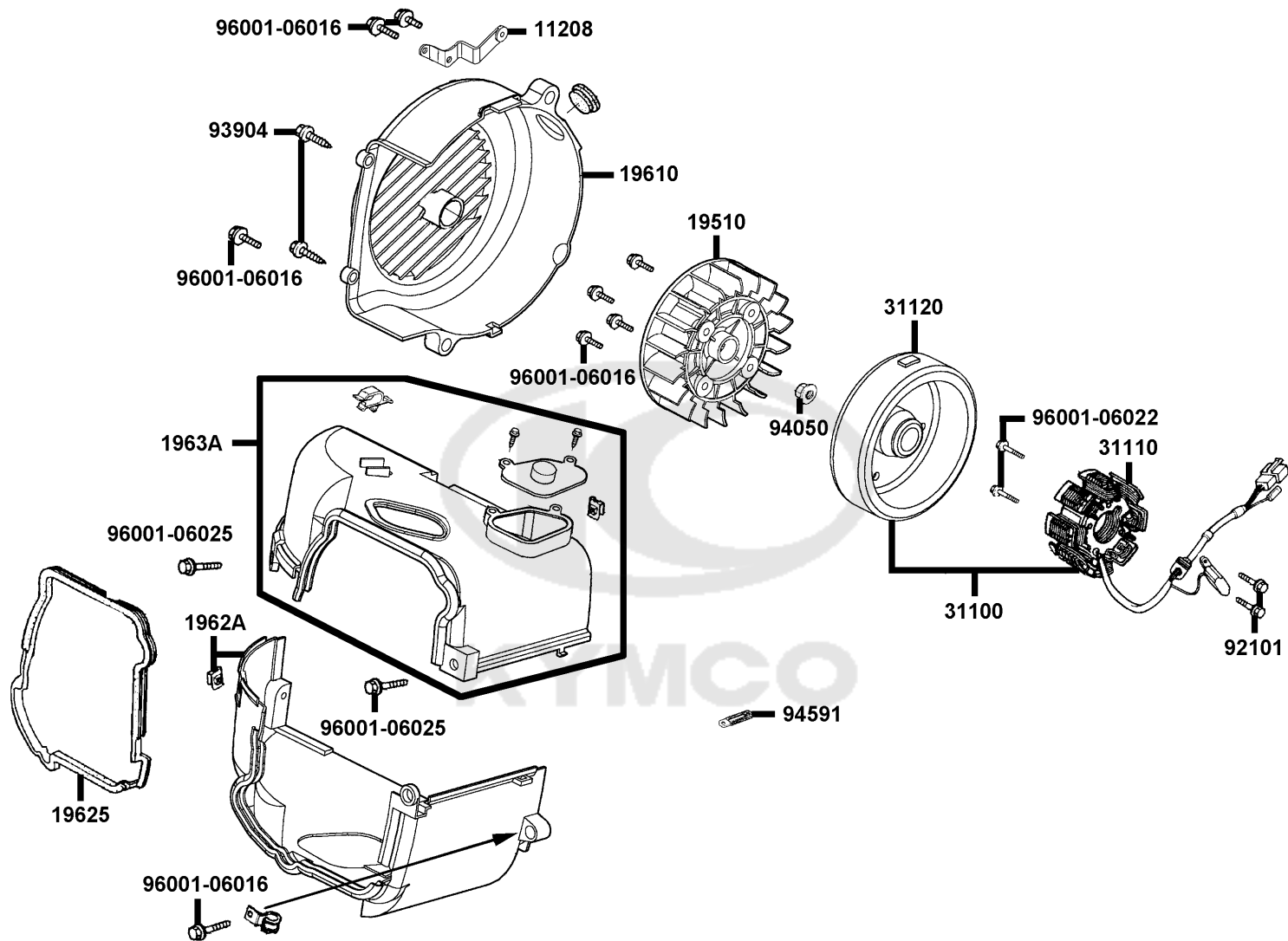
Sales mark	Ref no	Part no	Description	Reg description	Regd no	E06
	22100	22100-LDC8-E10	"CLUTCH, OUTER"	"CLUTCH, OUTER"	1	
	22102	22102-LDC8-E10	FACE DRIVE	FACE DRIVE	1	
	22103	22103-KEB7-C00	FAN CVT COOLING	FAN CVT COOLING	1	
	22105	22105-LBD6-C00	BOSS DRIVE FACE	BOSS DRIVE FACE	1	
	22110	22110-LDC8-E10	FACE COMP MOVABLE DRIVE	FACE COMP MOVABLE DRIVE	1	
	22121	22121-LBD6-C00	ROLLER COMP. WEIGHT	ROLLER COMP. WEIGHT	1	
	22131	22131-GHAH-C00	PLATE RAMP	PLATE RAMP	1	
	22132	22132-GLW0-C00	PIECE SLIDE	PIECE SLIDE	1	
	22300	22300-LDC8-E10	PLATE ASSY DRIVE	PLATE ASSY DRIVE	1	
	22350	22350-GKAK-C00	PLATE COMP DRIVE	PLATE COMP DRIVE	1	
	22401	22401-LDC8-C10	SPRING CLUTCH	SPRING CLUTCH	1	
	22535	22535-GKAK-C00	WEIGHT SET CLUTCH	WEIGHT SET CLUTCH	1	
	22804	22804-1H48-C00	RUBBER CLUTCH DUMPER	RUBBER CLUTCH DUMPER	1	
	2301A	2301A-LDC8-C10	PULLEY SUB ASSY	PULLEY SUB ASSY	1	
	23100	23100-KEB7-C00	BELT DRIVE	BELT DRIVE	1	
	23200	23200-GAR1-C00	FACE ASSY?A DRIVEN	FACE ASSY?A DRIVEN	1	
	23210	23210-GAR1-C00	FACE COMP DRIVEN	FACE COMP DRIVEN	1	
	23220	23220-LDC8-E10	FACE COMP MOVABLE	FACE COMP MOVABLE	1	
	23225	23225-GAR1-C00	PIN GUIDE	PIN GUIDE	1	
	23233	23233-KEE1-C10	SPG DRIVEN FACE	SPG DRIVEN FACE	1	

Sales mark	Ref no	Part no	Description	Reg description	Regd no	E06
23237		23237-GAR1-C00	COLLAR SEAL	COLLAR SEAL	1	
23238		23238-GGS7-C00	COLLAR SPG	COLLAR SPG	1	
28211		28211-KEB7-W10	RATCHET KICK STARTER	RATCHET KICK STARTER	1	
90202		90202-1G87-C00	"NUT,SPECIAL,28mm"	"NUT,SPECIAL,28mm"	1	
90426		90426-KNBN-C00	WASHER SPECIAL 12MM	WASHER SPECIAL 12MM	1	
91001		91001-GGA7-C00	BRG RADIAL BALL 6901U	BRG RADIAL BALL 6901U	1	
91103		91103-GAR1-C00	BRG NEEDLE 17x25x18 WS	BRG NEEDLE 17x25x18 WS	1	
91211		91211-KEE1-C00	OIL SEAL 34*39*3	OIL SEAL 34*39*3	1	
91301		91301-KEE1-C00	O-RING 36*1.5	O-RING 36*1.5	1	
91302		91302-KEE1-C00	O-RING 39.8*2.2	O-RING 39.8*2.2	1	
94001		94001-12280-0S	NUT HEX 12MM (C)	NUT HEX 12MM (C)	1	
94050		94050-10080	NUT HEX 10MM	NUT HEX 10MM	1	
94520		94520-24000	CIR CLIP IN 24	CIR CLIP IN 24	1	

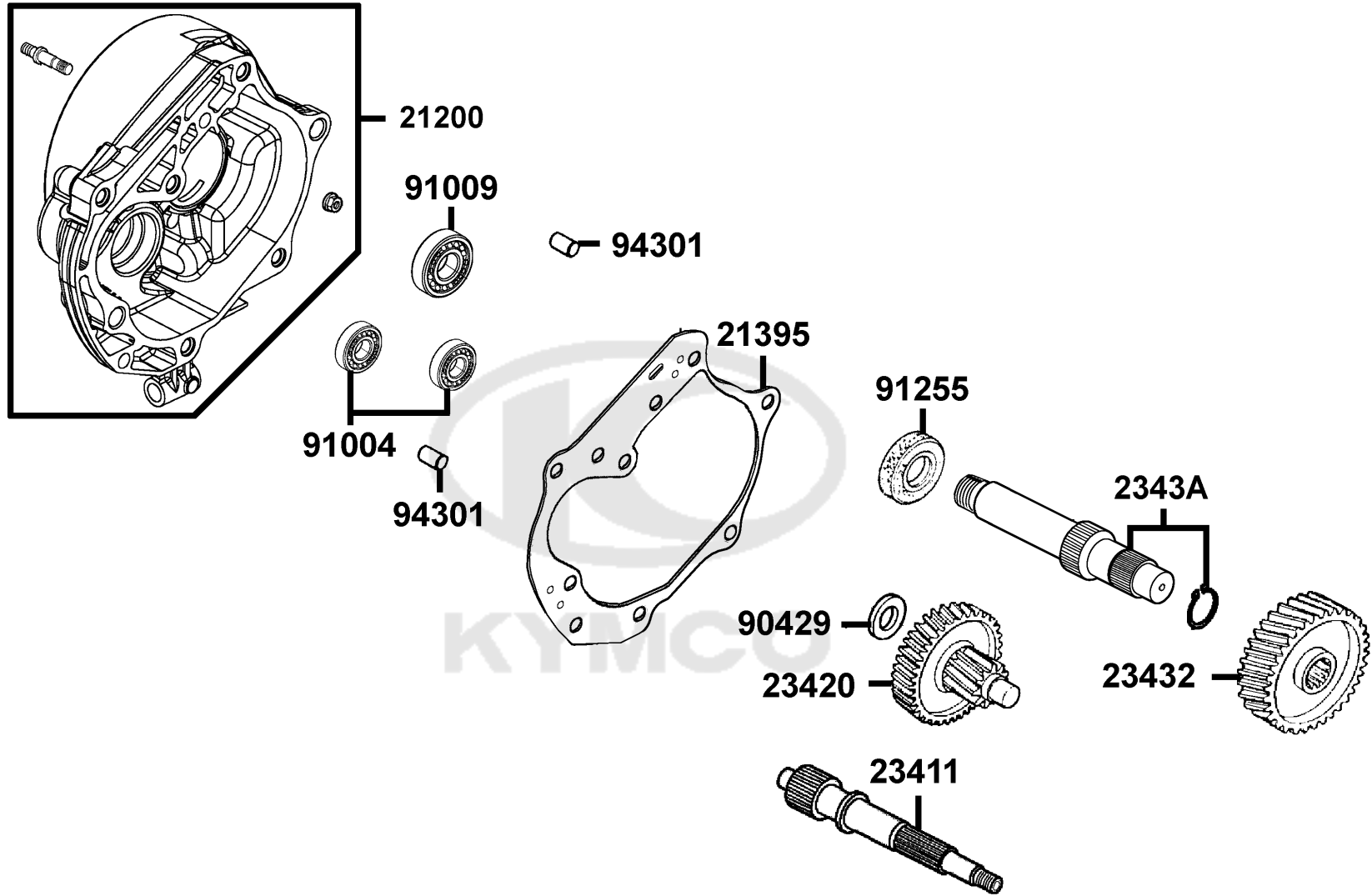


Sales mark	Ref no	Part no	Description	Reg description	Regd no	E07
	15100	15100-LDC5-C00	OIL PUMP ASSY	OIL PUMP ASSY	1	
	15133	15133-LDC5-C00	GEAR OIL PUMP DRIVEN	GEAR OIL PUMP DRIVEN	1	
	31200	31200-LEJ2-E10	MOTOR ASSY START	MOTOR ASSY START	1	
	31209	31209-KEE1-C00	PINION ASSY STARTER	PINION ASSY STARTER	1	
	90701	90701-HDC4-C00	DOWEL PIN 8*12	DOWEL PIN 8*12	1	
	91305	91305-0H28-C00	O-RING 9*1.6	O-RING 9*1.6	1	
	94050	94050-06080	NUT FLANGE 6MM (C)	NUT FLANGE 6MM (C)	1	
	96001-06020	96001-06020-08	BOLT FLANGE SH 6*20 (C)	BOLT FLANGE SH 6*20 (C)	2	
	96001-06025	96001-06025-08	BOLT FLANGE SH 6*25 (C)	BOLT FLANGE SH 6*25 (C)	3	





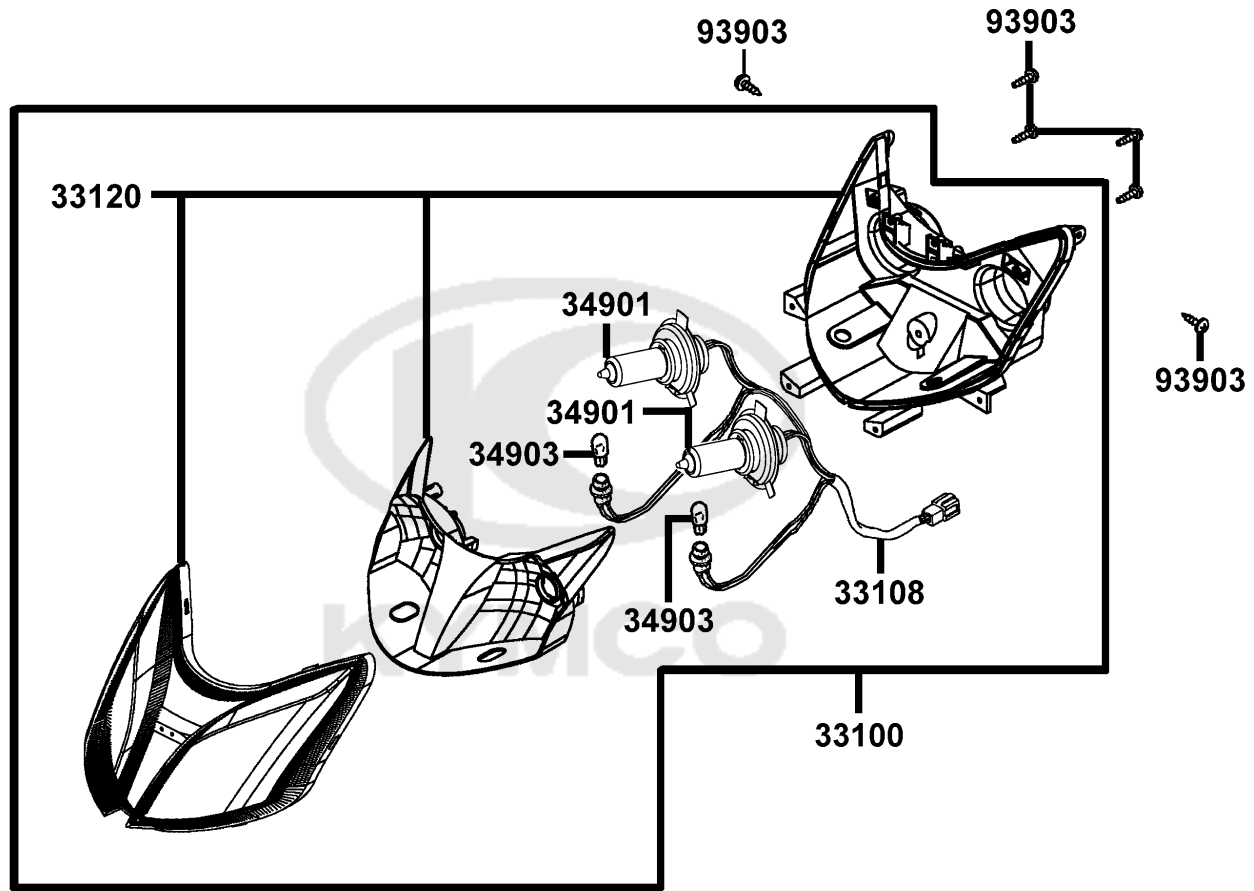
Sales mark	Ref no	Part no	Description	Reg description	Regd no	E08
	11208	11208-LBD6-C00	STAY RR TIRE FENDER	STAY RR TIRE FENDER	1	
	19510	19510-LDC5-C00	FAN COMP. COOLING	FAN COMP. COOLING	1	
	19610	19610-LFC2-E10	COVER COMP FAN	COVER COMP FAN	1	
	19625	19625-KEE1-C00	SEAL SHROUD	SEAL SHROUD	1	
	1962A	1962A-KEE1-C00	SHROUD ASSY. A	SHROUD ASSY. A	1	
	1963A	1963A-LDC8-E10	SHROUD ASSY B	SHROUD ASSY B	1	
	31100	31100-LEJ2-E11	AC GEN ASSY	AC GEN ASSY	1	
	31110	31110-LBD6-C00	FLYWHEEL COMP	FLYWHEEL COMP	1	
	31120	31120-LBD6-C00	STATOR COMP	STATOR COMP	1	
	92101	92101-05012-0H	BOLT HEX 5*12 (C)	BOLT HEX 5*12 (C)	2	
	93904	93904-35380	SCREW TAPPING 5*16 (K)	SCREW TAPPING 5*16 (K)	2	
	94050	94050-10080	NUT HEX 10MM	NUT HEX 10MM	1	
	94591	94591-LDC8-E10	CLIP BIND	CLIP BIND	1	
	96001-06016	96001-06016-08	BOLT FLANGE SH 6*16 (C)	BOLT FLANGE SH 6*16 (C)	6	
	96001-06022	96001-06022-08	BOLT FLANGE SH 6*22 (C)	BOLT FLANGE SH 6*22 (C)	2	
	96001-06025	96001-06025-08	BOLT FLANGE SH 6*25 (C)	BOLT FLANGE SH 6*25 (C)	2	




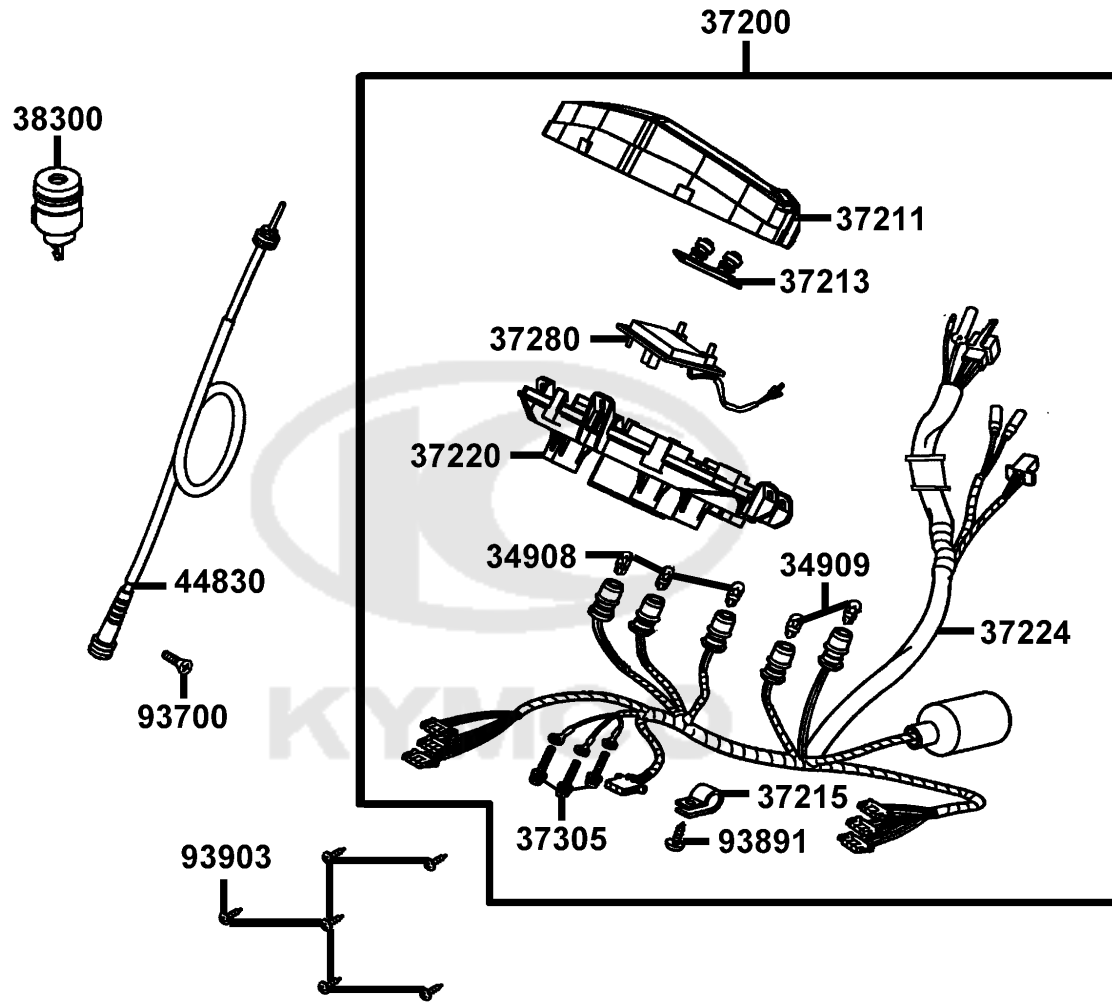
Sales mark	Ref no	Part no	Description	Reg description	Regd no	E09
	21200	21200-KFA1-900	CASE COMP MISSION	CASE COMP MISSION	1	
	21395	21395-KNBN-C10	GASKET MISSION CASE	GASKET MISSION CASE	1	
	23411	23411-LBD6-C00	SHAFT DRIVE	SHAFT DRIVE	1	
	23420	23420-LBD6-C00	SHAFT COMP COUNTER	SHAFT COMP COUNTER	1	
	23432	23432-LBD6-C00	GEAR FINAL	GEAR FINAL	1	
	2343A	2343A-KNBN-C00	SHAFT ASSY. FINAL	SHAFT ASSY. FINAL	1	
	90429	90429-KNBN-C00	WASHER SIDE 12MM	WASHER SIDE 12MM	1	
	91004	91004-KBN2-C00	BRG BALL RADIAL 6201	BRG BALL RADIAL 6201	1	
	91009	91009-GLE0-C00	BRG BALL RADIAL 6004 UU	BRG BALL RADIAL 6004 UU	1	
	91255	91255-LDC8-E10	OIL SEAL 27*42*7(C)	OIL SEAL 27*42*7(C)	1	
	94301	94301-10200-M2	DOWEL PIN 10*20	DOWEL PIN 10*20	2	

F01

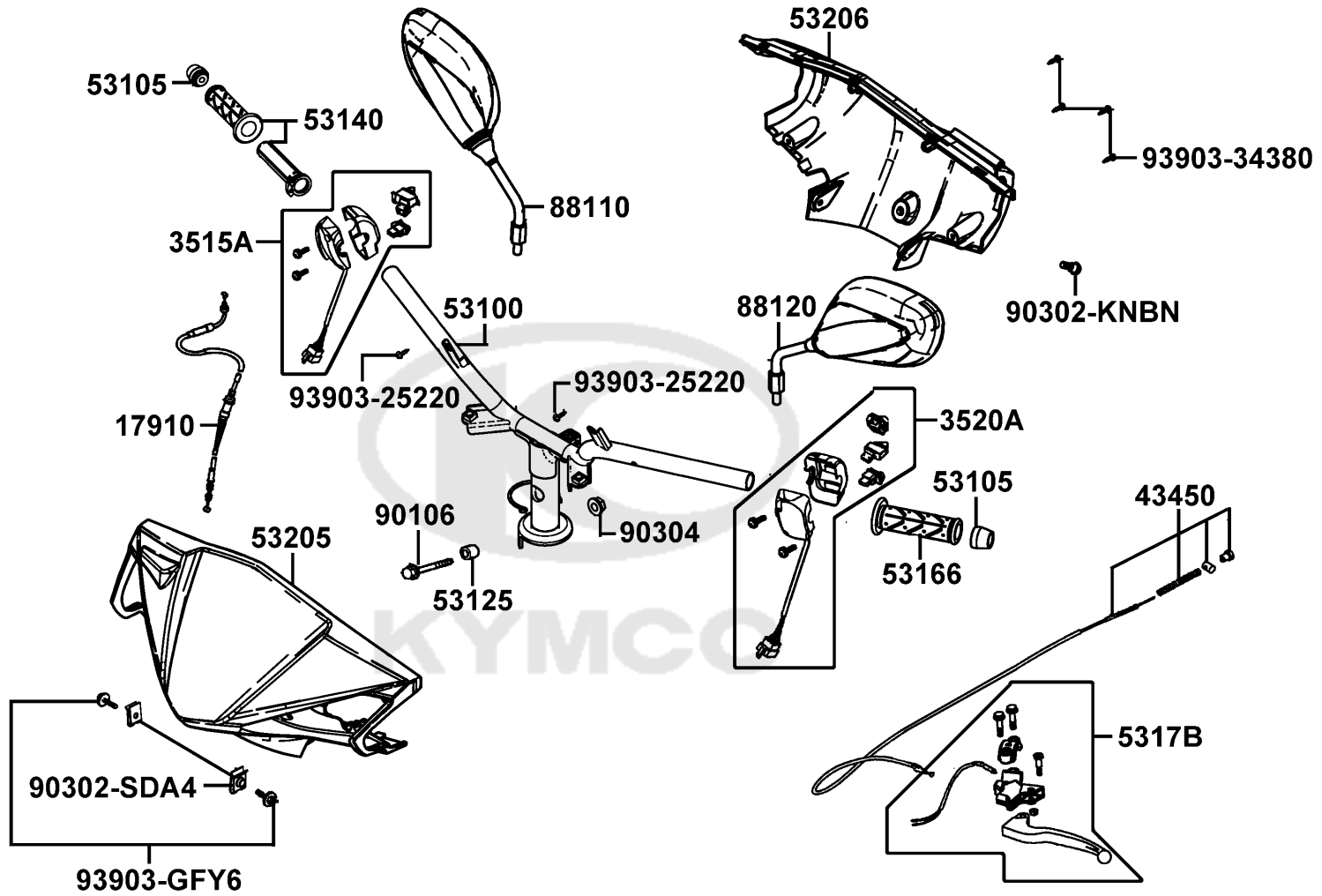
Head Light



Sales mark	Ref no	Part no	Description	Reg description	Regd no	F01
	33100	33100-ALA9-E70	LIGHT ASSY HEAD	LIGHT ASSY HEAD	1	
	33108	33108-LEJ2-E10	SOCKET COMP LIGHT HEAD	SOCKET COMP LIGHT HEAD	1	
	33120	33120-ALA9-E70	LIGHT COMP HEAD	LIGHT COMP HEAD	1	
	34901	34901-LDC8-E10	BULB HEAD LIGHT	BULB HEAD LIGHT	2	
	34903	34903-LDC8-E10	BULB POSITON	BULB POSITON	2	
	93903	93903-35220	SCREW TAPPING 5X12	SCREW TAPPING 5X12	6	
						



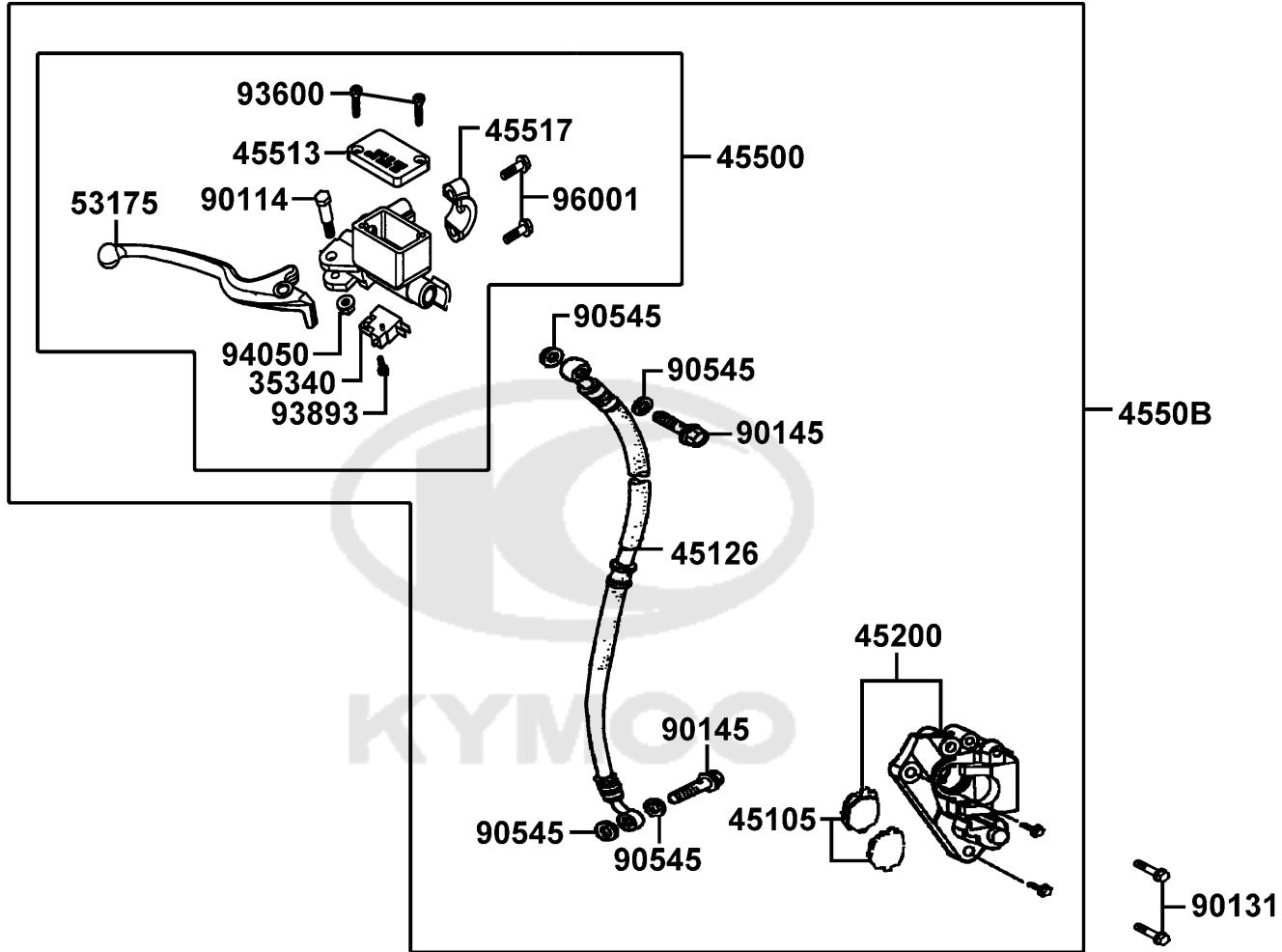
Sales mark	Ref no	Part no	Description	Reg description	Regd no	F02
34908		34908-LEJ2-E00	BULB WEDGE BASE T10	BULB WEDGE BASE T10	3	
34909		34909-LEJ2-E00	BULB WEDGE BASE T10	BULB WEDGE BASE T10	2	
37200		37200-ALA9-E70	METER ASSY SPEED	METER ASSY SPEED	1	
37211		37211-ALA9-E70	GLASS METER	GLASS METER	1	
37213		37213-ALA9-E70	PACKING	PACKING	1	
37215		37215-KAR1-C00	CLAMP	CLAMP	1	
37220		37220-ALA9-E70	KNOB TRIP METER	KNOB TRIP METER	1	
37224		37224-ALA9-E70	SOCKET COMP METER	SOCKET COMP METER	1	
37280		37280-ALA9-E70	BAT AH INDI ASSY	BAT AH INDI ASSY	1	
37305		37305-KEE5-008	SCREW WASH 3*22	SCREW WASH 3*22	1	
38300		38300-KECE-W10	RELAY ASS'Y WINKER	RELAY ASS'Y WINKER	1	
44830		44830-LDC8-E10	CABLE COMP SPDMT	CABLE COMP SPDMT	1	
93700		93700-05018-0H	SCREW OVAL 5*18 ?	SCREW OVAL 5*18 ?	1	
93891		93891-04014-08	SCREW WASHER 4*14 (C)	SCREW WASHER 4*14 (C)	1	
93903		93903-34380	SCREW TAPPING 4*12 (K)	SCREW TAPPING 4*12 (K)	6	



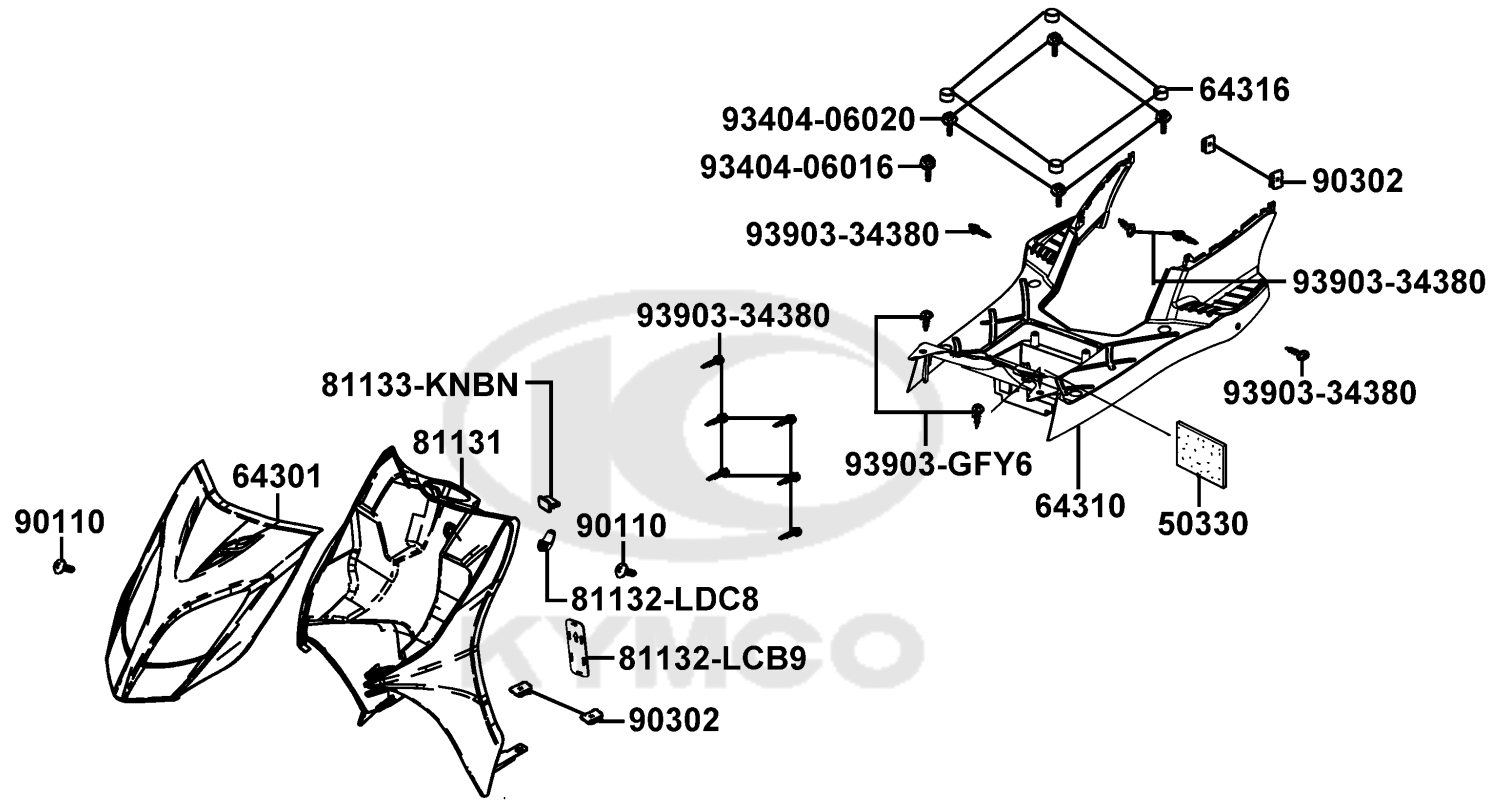
Sales mark	Ref no	Part no	Description	Reg description	Regd no	F03
	17910	17910-LDC8-E10	CABLE COMP THROT	CABLE COMP THROT	1	
	17910	17910-LDC8-E10	CABLE COMP THROT	CABLE COMP THROT	1	
	3515A	3515A-LGB5-E10	"SW ASS'Y.,RH HANDLE COMP"	"SW ASS'Y.,RH HANDLE COMP"	1	
	3520A	3520A-LGB5-E10	"SW ASS'Y.,LH HANDLE COMP"	"SW ASS'Y.,LH HANDLE COMP"	1	
	43450	43450-LDC8-C00	CABLE COMP FR BRK	CABLE COMP FR BRK	1	
	53100	53100-LGB5-E10	HANDLE COMP STRG	HANDLE COMP STRG	1	
	53105	53105-KNBN-C00	END STRG HANDLE	END STRG HANDLE	2	
	53125	53125-GEN5-C00	COLLAR HANDLE SET	COLLAR HANDLE SET	1	
**	53140	53140-KNBN-C00	GRIP COMP THROT	GRIP COMP THROT	1	
**	53166	53166-KNBN-C00	GRIP L HANDLE	GRIP L HANDLE	1	
	5317B	5317B-KFA6-C00	BRKT ASSY HNDL LH	BRKT ASSY HNDL LH	1	
**	53205	53205-LGB5-E10	COVERT FR HANDLE	COVERT FR HANDLE	1	
**	53206	53206-LGB5-E10	COVER HANDLE RR	COVER HANDLE RR	1	
**	88110	88110-LEB5-C11	"MIRROR ASSY.,R BACK"	"MIRROR ASSY.,R BACK"	1	
**	88120	88120-LEB5-C11	"MIRROR ASSY.,L BACK"	"MIRROR ASSY.,L BACK"	1	
	90106	90106-GEN5-901	BOLT FLANGE 10*50	BOLT FLANGE 10*50	1	
	90302-KNBN	90302-KNBN-C00	WASHER PLAIN	WASHER PLAIN	1	
	90302-SDA4	90302-SDA4-C00	"NUT,SPPING 4MM"	"NUT,SPPING 4MM"	1	
	90304	90304-GHE8-C00	NUT U 10MM(C)	NUT U 10MM(C)	1	
	93903-25220	93903-25220	SCREW TAPPING 5*16(K)	SCREW TAPPING 5*16(K)	2	

Sales mark	Ref no	Part no	Description	Reg description	Regd no	F03
	93903-34380	93903-34380	SCREW TAPPING 4*12 (K)	SCREW TAPPING 4*12 (K)	4	
	93903-GFY6	93903-GFY6-C00	SCREW TAPPING 4*14	SCREW TAPPING 4*14	1	

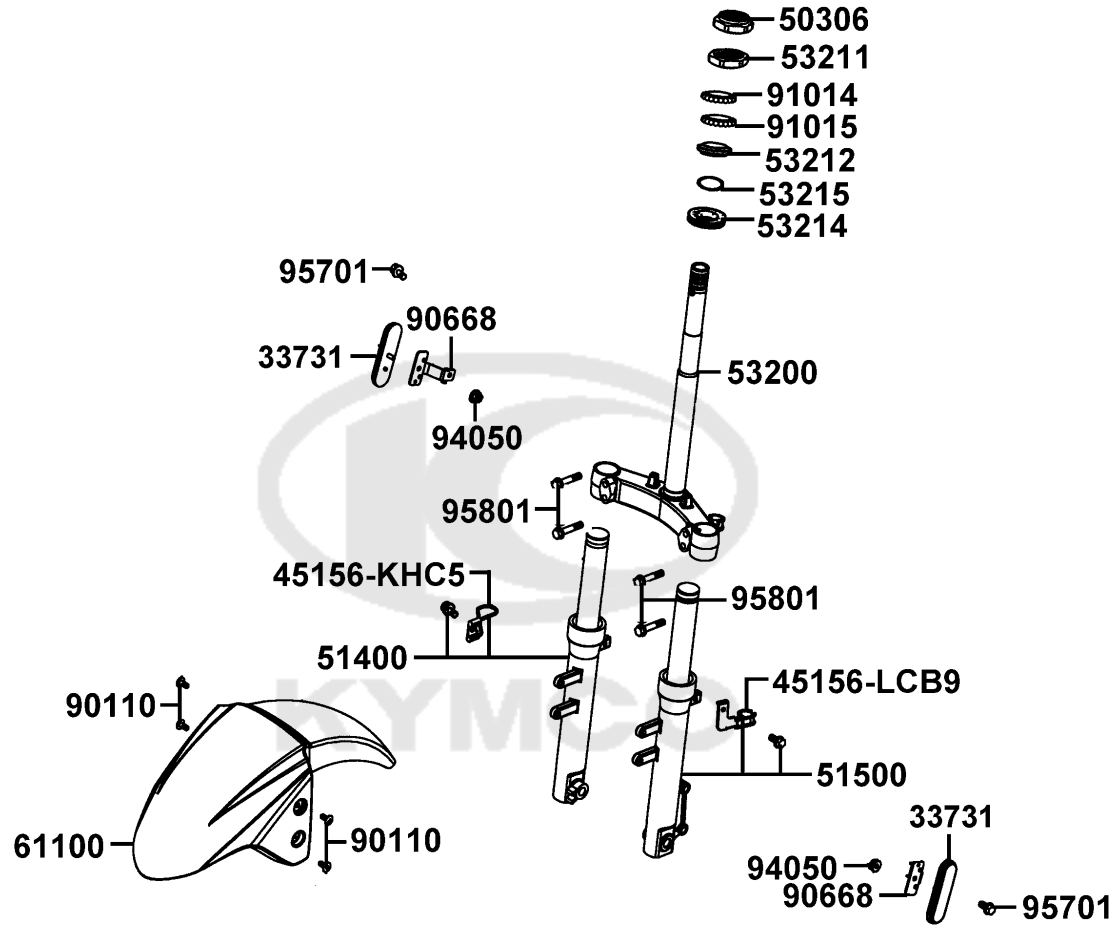




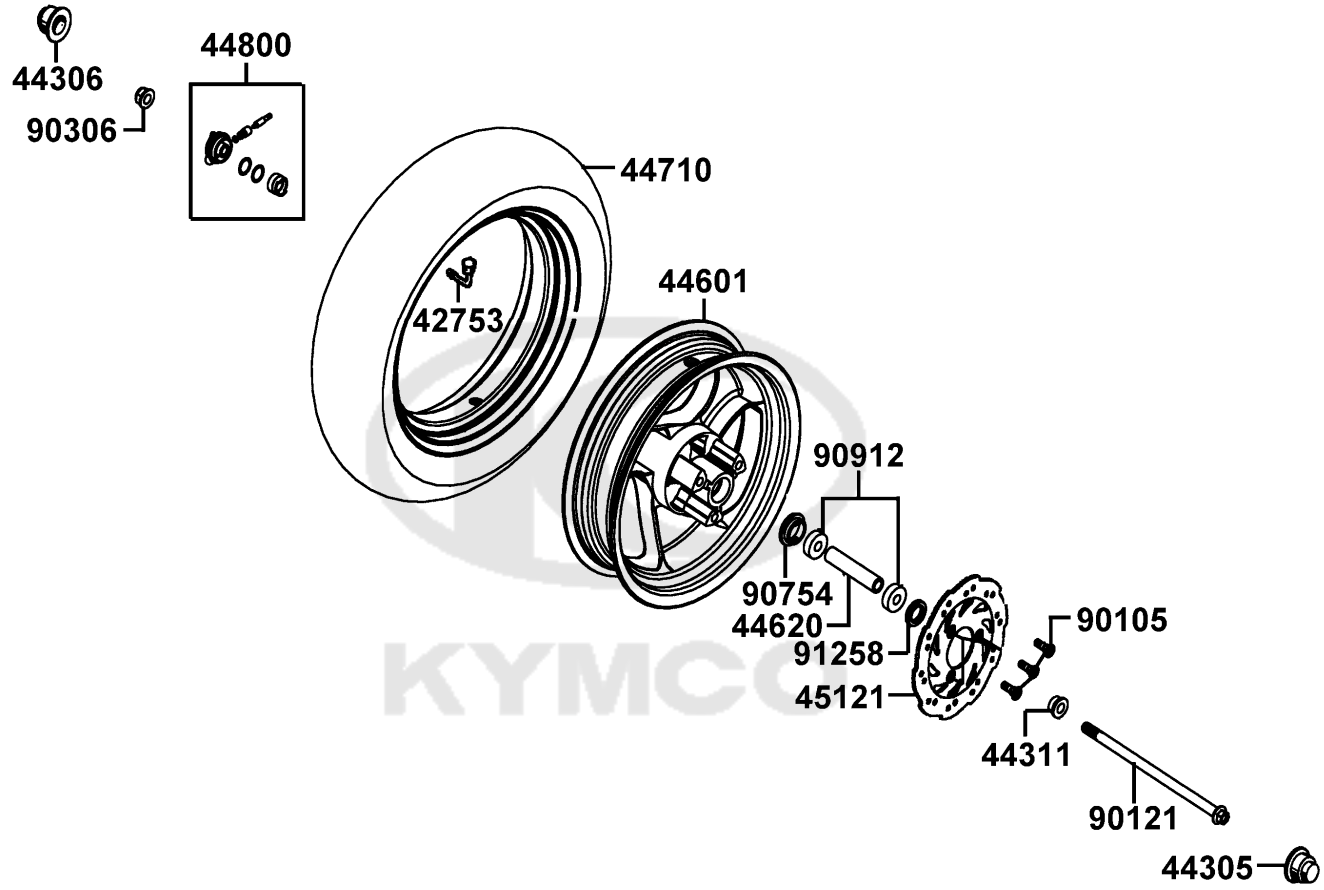
Sales mark	Ref no	Part no	Description	Reg description	Regd no	F04
	35340	35340-KNBN-901	SW ASSY FR STOP	SW ASSY FR STOP	1	
	45105	45105-LFC2-305	PAD COMP A+B	PAD COMP A+B	1	
	45126	45126-ALA9-E70	HOSE ASSY FR BRK	HOSE ASSY FR BRK	1	
**	45200	45200-ALA9-E70	CALIPER ASSY FR	CALIPER ASSY FR	1	
	45500	45500-LDC8-E10	M/C ASSY FR	M/C ASSY FR	1	
	4550B	4550B-ALA9-E70	SUB ASSY FR BRK	SUB ASSY FR BRK	1	
	45513	45513-LDC8-E10	CAP CYLN SET MASTER	CAP CYLN SET MASTER	1	
	45517	45517-KFAF-910	HOLDER M/C	HOLDER M/C	1	
	53175	53175-LDC8-E10	LEVER R STRG HNDL	LEVER R STRG HNDL	1	
	90114	90114-1F66-C00	BOLT HANDLE LEVER	BOLT HANDLE LEVER	1	
	90131	90131-GLW0-C00	BOLT FLANGE 8*35	BOLT FLANGE 8*35	1	
	90145	90145-9A61-C00	OIL BOLT 10*22	OIL BOLT 10*22	1	
	90545	90545-3L00-C00	WASHER OIL BOLT	WASHER OIL BOLT	1	
	93600	93600-04012-1G	SCREW FLAT 4*12 (K)	SCREW FLAT 4*12 (K)	2	
	93893	93893-04012-08	SCREW WASHER 4*12 (C)	SCREW WASHER 4*12 (C)	1	
	94050	94050-06070	NUT FLANGE 6MM(K)	NUT FLANGE 6MM(K)	1	
	96001	96001-06025-00	BOLT FLANGE SH 6*25	BOLT FLANGE SH 6*25	2	



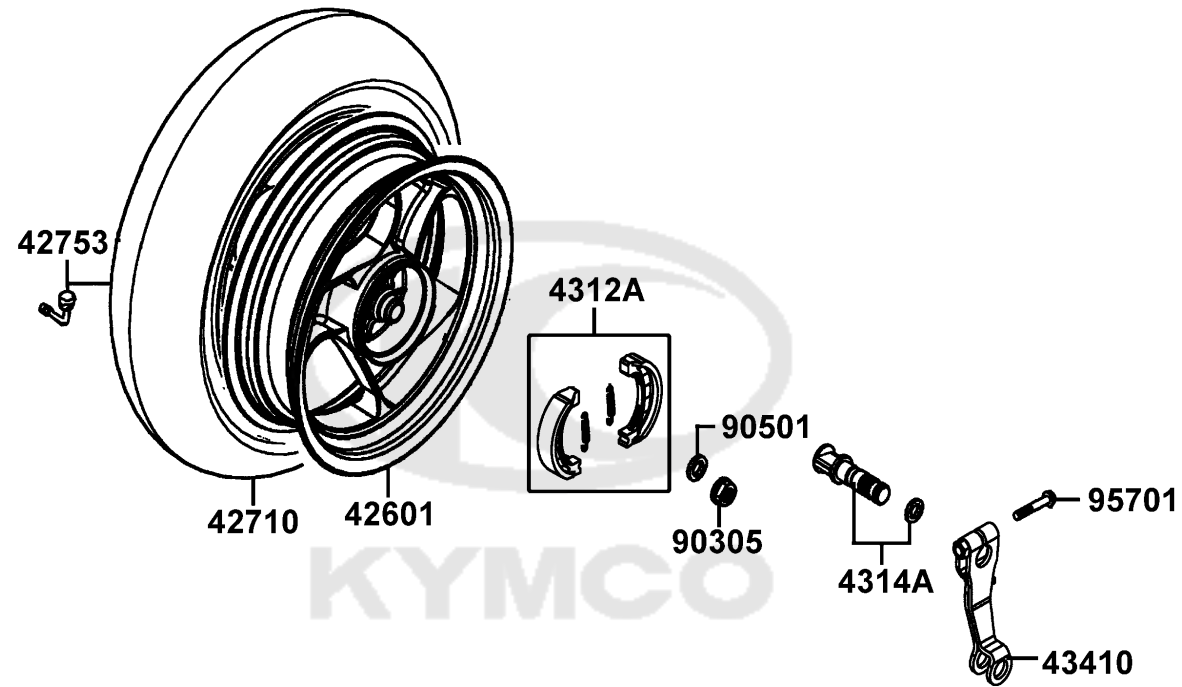
Sales mark	Ref no	Part no	Description	Reg description	Regd no	F05
	50330	50330-KEBE-C00	SEAL BATTERY FRONT	SEAL BATTERY FRONT	1	
**	64301	64301-ALA9-E70	COVER FR	COVER FR	1	
**	64310	64310-LCB9-C10	PANEL FLOOR	PANEL FLOOR	1	
**	64316	64316-LCB9-C10	PLUG FLOOR	PLUG FLOOR	4	
**	81131	81131-ALA9-E70	LEG SHIELD	LEG SHIELD	1	
**	81132-LCB9	81132-LCB9-C10	LID LEG SHIELD	LID LEG SHIELD	1	
	81132-LDC8	81132-LDC8-E10	HOOK LUGGAGE	HOOK LUGGAGE	1	
	81133	81133-KNBN-C00	STOPPER LUGGAGE	STOPPER LUGGAGE	1	
	90110	90110-GLW0-C00	SCREW SPECIAL 6*14	SCREW SPECIAL 6*14	1	
	90302	90302-SDA4-C00	"NUT,SPPING 4MM"	"NUT,SPPING 4MM"	1	
	93404-06016	93404-06016-07	BOTL WASHER 6*16(K)	BOTL WASHER 6*16(K)	1	
	93404-06020	93404-06020-07	BOLT WASHER 6*20 (K)	BOLT WASHER 6*20 (K)	4	
	93903-34380	93903-34380	SCREW TAPPING 4*12 (K)	SCREW TAPPING 4*12 (K)	11	
	93903-GFY6	93903-GFY6-C00	SCREW TAPPING 4*14	SCREW TAPPING 4*14	1	



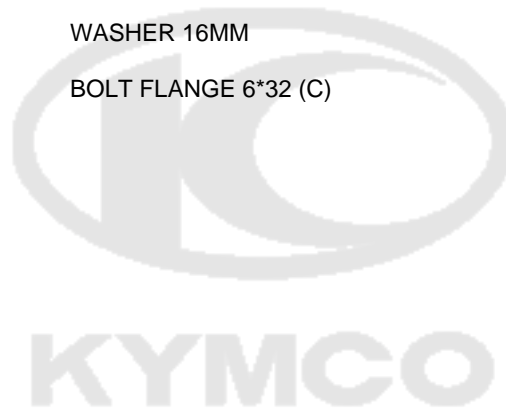
Sales mark	Ref no	Part no	Description	Reg description	Regd no	F06
	33731	33731-KGB5-C00	"REFLEX REFLECTOR,SIDE"	"REFLEX REFLECTOR,SIDE"	2	
	45156-KHC5	45156-KHC5-E10	CLAMPER BRAKE HOSE	CLAMPER BRAKE HOSE	1	
	45156-LCB9	45156-LCB9-B20	CLAMPER METER CABLE	CLAMPER METER CABLE	1	
	50306	50306-1F96-001	NUT STRG STEM LOCK	NUT STRG STEM LOCK	1	
**	51400	51400-LDC8-E10	FORK ASSY FR R	FORK ASSY FR R	1	
**	51500	51500-LDC8-E10	FORK ASSY FR L	FORK ASSY FR L	1	
	53200	53200-LDC8-E10	STEM COMP STRG	STEM COMP STRG	1	
	53211	53211-GFY6-C00	RACE STRG. CONE TOP	RACE STRG. CONE TOP	1	
	53212	53212-2L50-C00	RACE STRG. BOTTOM CONE	RACE STRG. BOTTOM CONE	1	
	53214	53214-2L50-C00	DUST SEAL STRG. HEAD BOT	DUST SEAL STRG. HEAD BOT	1	
	53215	53215-2L50-C00	"WASHER,STRG. HEAD DUST SEAL"	"WASHER,STRG. HEAD DUST SEAL"	1	
**	61100	61100-LDC8-E10	FENDER FR	FENDER FR	1	
	90110	90110-KEB7-C00	SCREW FLAT U LOCK	SCREW FLAT U LOCK	1	
	90668	90668-LDC8-E10	STAY SIDE REFLECTOR	STAY SIDE REFLECTOR	1	
	91014	91014-LLJ3-C00	CAGE STRG TOP	CAGE STRG TOP	1	
	91015	91015-LLJ3-C00	CAGE STRG BOT	CAGE STRG BOT	1	
	94050	94050-05080	NUT FLANGE 5MM	NUT FLANGE 5MM	2	
	95701	95701-06012-08	BOLT FLANGE 6*12 (C)	BOLT FLANGE 6*12 (C)	2	
	95801	95801-08040-08	BOLT FLANGE 8*40 (C)	BOLT FLANGE 8*40 (C)	4	



Sales mark	Ref no	Part no	Description	Reg description	Regd no	F07
	42753	42753-0A01-C00	VALVE (TR 412) & CAP (C)	VALVE (TR 412) & CAP (C)	1	
	44305	44305-KGE2-E00	AXLE FR WHEEL PROTECT CAP L	AXLE FR WHEEL PROTECT CAP L	1	
	44306	44306-KGE2-E00	AXLE FR WHEEL PROTECT CAP R	AXLE FR WHEEL PROTECT CAP R	1	
	44311	44311-GLW0-W10	COLLAR FR WHEEL SIDE	COLLAR FR WHEEL SIDE	1	
**	44601	44601-KEB7-E0E	WHEEL CAST FR	WHEEL CAST FR	1	
	44620	44620-KEB7-C00	WHEEL FR CAST	WHEEL FR CAST	1	
	44710	44710-LDC8-E1A	TIRE ASSY FR	TIRE ASSY FR	1	
	44800	44800-LDC8-E10	GEAR BOX ASSY	GEAR BOX ASSY	1	
	45121	45121-LBD5-C00	GEAR BOX ASSY SPDMT	GEAR BOX ASSY SPDMT	1	
	90105	90105-KCR3-001	BOLT FR DISK 8*24	BOLT FR DISK 8*24	3	
	90121	90121-KBE2-C00	BOLT RR FORK PIVOT	BOLT RR FORK PIVOT	1	
	90306	90306-KLF0-C00	NUT FLANGE 12MM	NUT FLANGE 12MM	1	
	90754	90754-GHC8-C00	DUST SEAL 20*32*5	DUST SEAL 20*32*5	1	
	90912	90912-GHC8-C00	BEARING 6201 (U) (NTN)	BEARING 6201 (U) (NTN)	1	
	91258	91258-KAM1-C00	SEAL SPDMT GEAR BOX	SEAL SPDMT GEAR BOX	1	

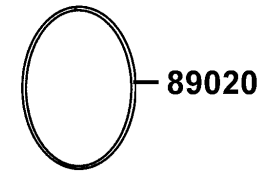
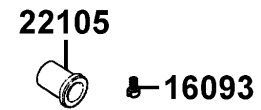
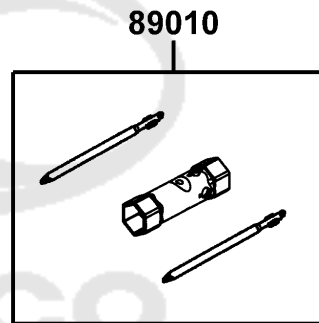
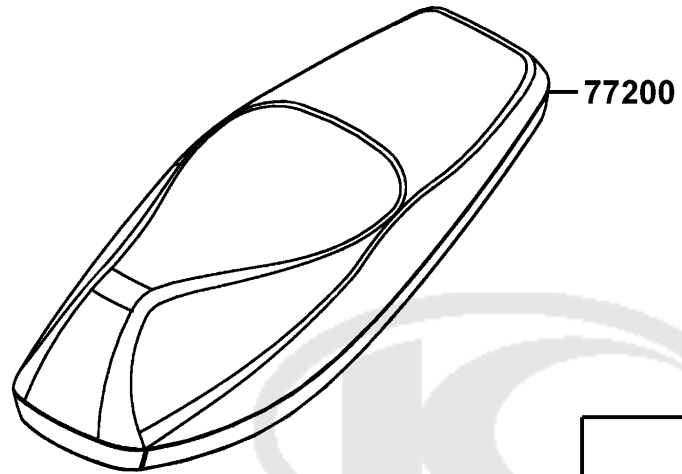



Sales mark	Ref no	Part no	Description	Reg description	Regd no	F08
**	42601	42601-KEB7-C00	WHEEL COMP RR CAST	WHEEL COMP RR CAST	1	
	42710	42710-LDC8-E11	TIRE ASSY RR	TIRE ASSY RR	1	
	42753	42753-0A01-C00	VALVE (TR 412) & CAP (C)	VALVE (TR 412) & CAP (C)	1	
	4312A	4312A-KXCX-C00	SHOE ASSY RR BRAKE	SHOE ASSY RR BRAKE	1	
	4314A	4314A-KKD6-E00	CAM ASSY RR BRAKE	CAM ASSY RR BRAKE	1	
	43410	43410-KFA1-C00	ARM RR BRK	ARM RR BRK	1	
	90305	90305-KNBN-C00	NUT U 16MM(C)	NUT U 16MM(C)	1	
	90501	90501-KNBN-C00	WASHER 16MM	WASHER 16MM	1	
	95701	95701-06032-08	BOLT FLANGE 6*32 (C)	BOLT FLANGE 6*32 (C)	1	

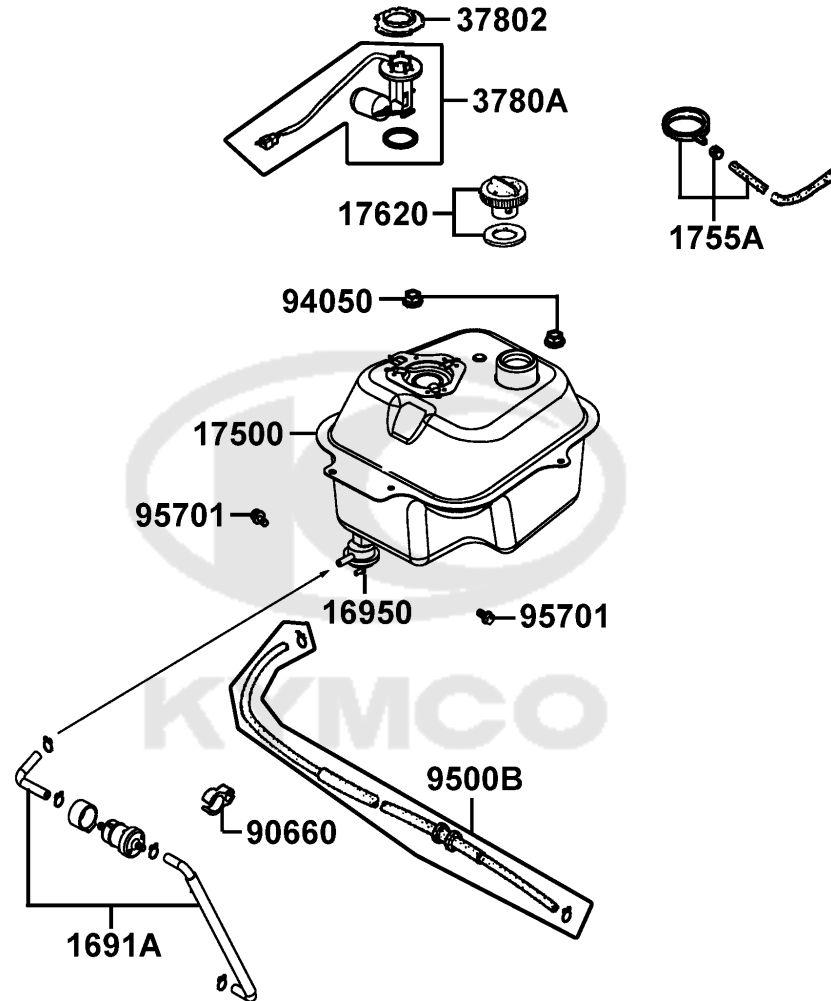


F09

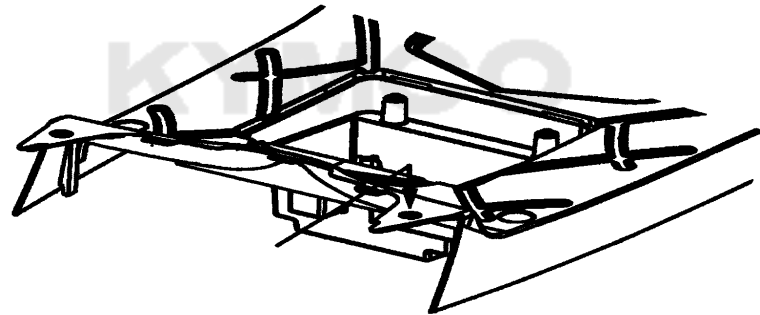
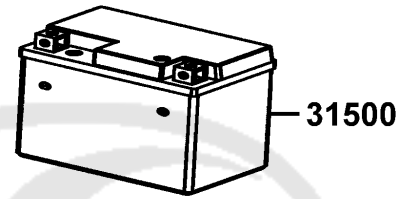
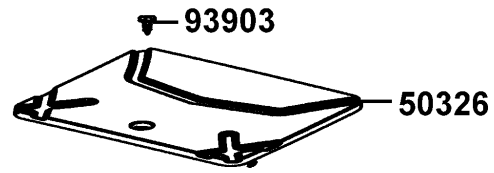
Seat



Sales mark	Ref no	Part no	Description	Reg description	Regd no	F09
	16093	16093-5082-000	JET MAIN	JET MAIN	1	
	22105	22105-KGBG-C00	BOSS DRIVE FACE	BOSS DRIVE FACE	1	
**	77200	77200-LDF7-E10	SEAT ASSY	SEAT ASSY	1	
	77206	77206-LCB9-C10	RUBBER SEAT CUSHION	RUBBER SEAT CUSHION	1	
	89010	89010-KGBG-C00	TOOL SET	TOOL SET	1	
	89020	89020-KKC4-C00	BAND TOOL SET	BAND TOOL SET	1	
	94050	94050-06080	NUT FLANGE 6MM (C)	NUT FLANGE 6MM (C)	2	
						

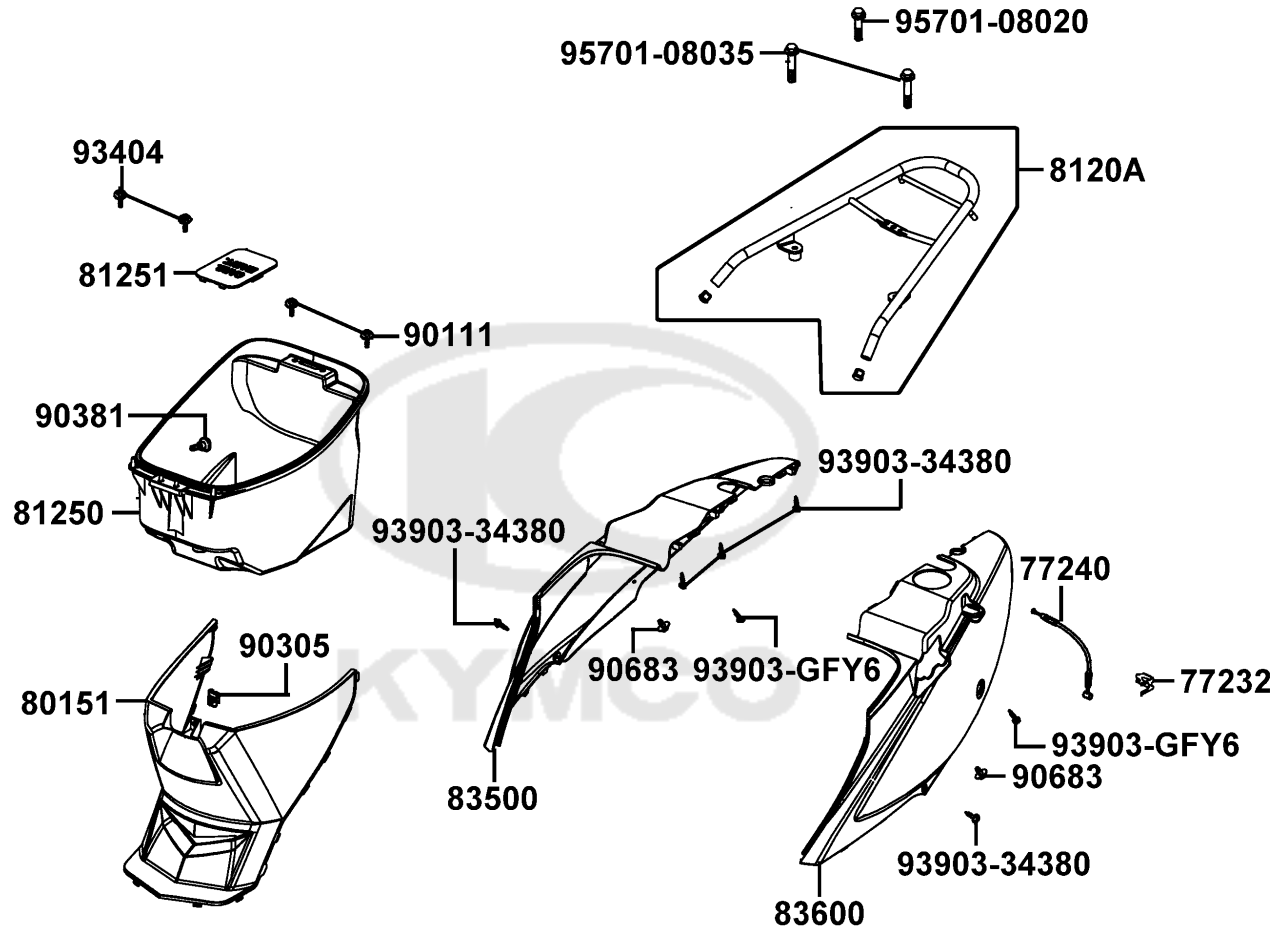


Sales mark	Ref no	Part no	Description	Reg description	Regd no	F10
1691A		1691A-LDF7-E10	STRAINER ASSY FUEL	STRAINER ASSY FUEL	1	
16950		16950-KKJ9-C00	AUTO COCK ASSY FUEL	AUTO COCK ASSY FUEL	1	
17500		17500-LCB9-C10	TANK COMP FUEL	TANK COMP FUEL	1	
1755A		1755A-KKD5-C10	TRAY ASSY FUEL CAP	TRAY ASSY FUEL CAP	1	
17620		17620-LDF7-E10	CAP COMP FUEL FILLER	CAP COMP FUEL FILLER	1	
37802		37802-GGA7-C00	RET FUEL UNIT	RET FUEL UNIT	1	
3780A		3780A-LDC8-E10	FUEL UNIT ASSY	FUEL UNIT ASSY	1	
90660		90660-KGBG-C00	CLAMPER TUBE	CLAMPER TUBE	1	
94050		94050-06080	NUT FLANGE 6MM (C)	NUT FLANGE 6MM (C)	2	
9500B		9500B-LDC8-E10	TUBE ASSY VACUUM	TUBE ASSY VACUUM	1	
95701		95701-06012-08	BOLT FLANGE 6*12 (C)	BOLT FLANGE 6*12 (C)	2	

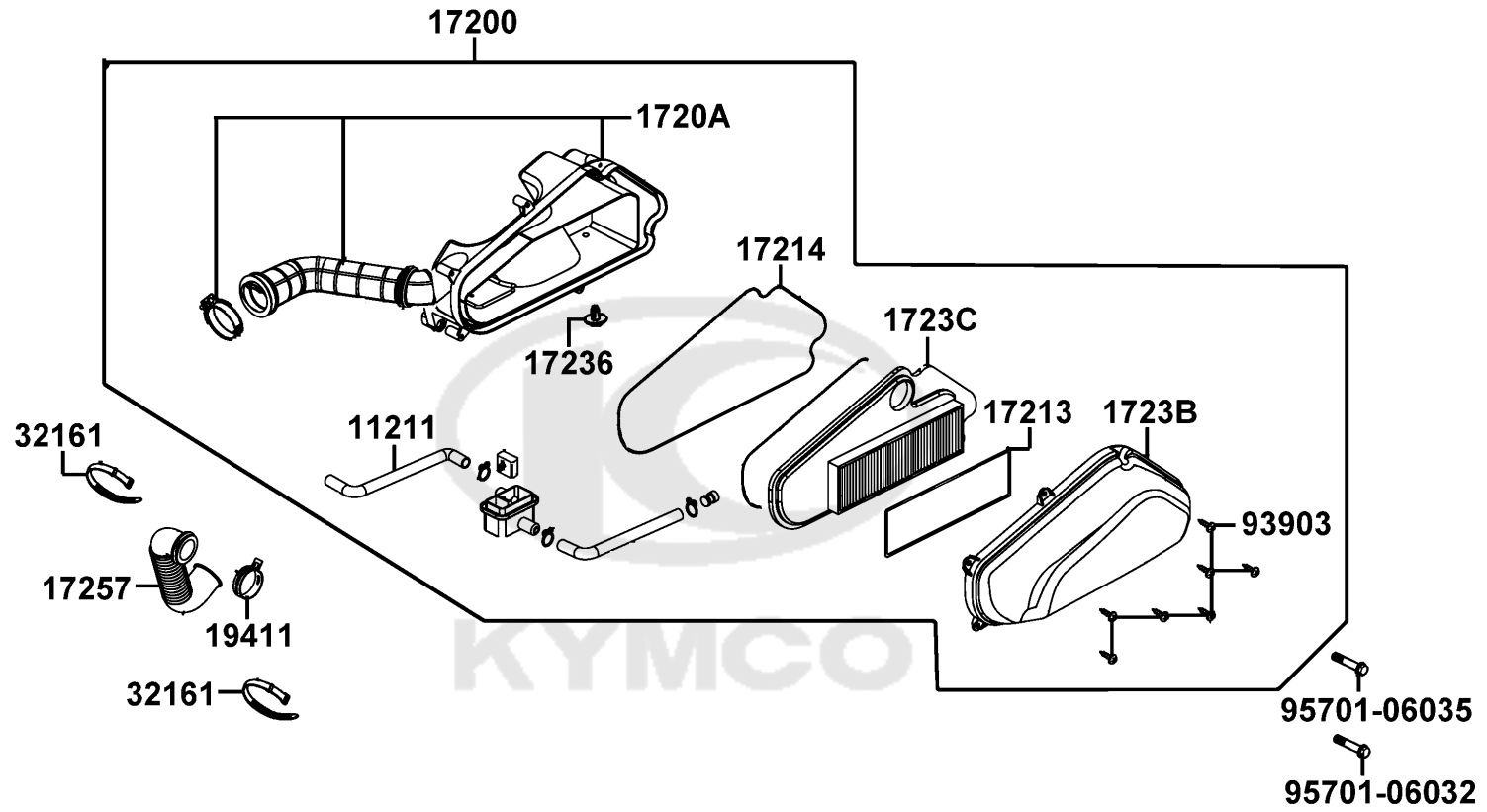


Sales mark	Ref no	Part no	Description	Reg description	Regd no	F11
	31500	31500-KNBN-C00	BATTERY YTX5L-BS	BATTERY YTX5L-BS	1	
**	50326	50326-LCB9-C10	COVER BATTERY	COVER BATTERY	1	
	93903	93903-35380	SCREW TAPPING 5*16 (K)	SCREW TAPPING 5*16 (K)	1	
	98200	98200-10700	FUSE A7	FUSE A7	1	

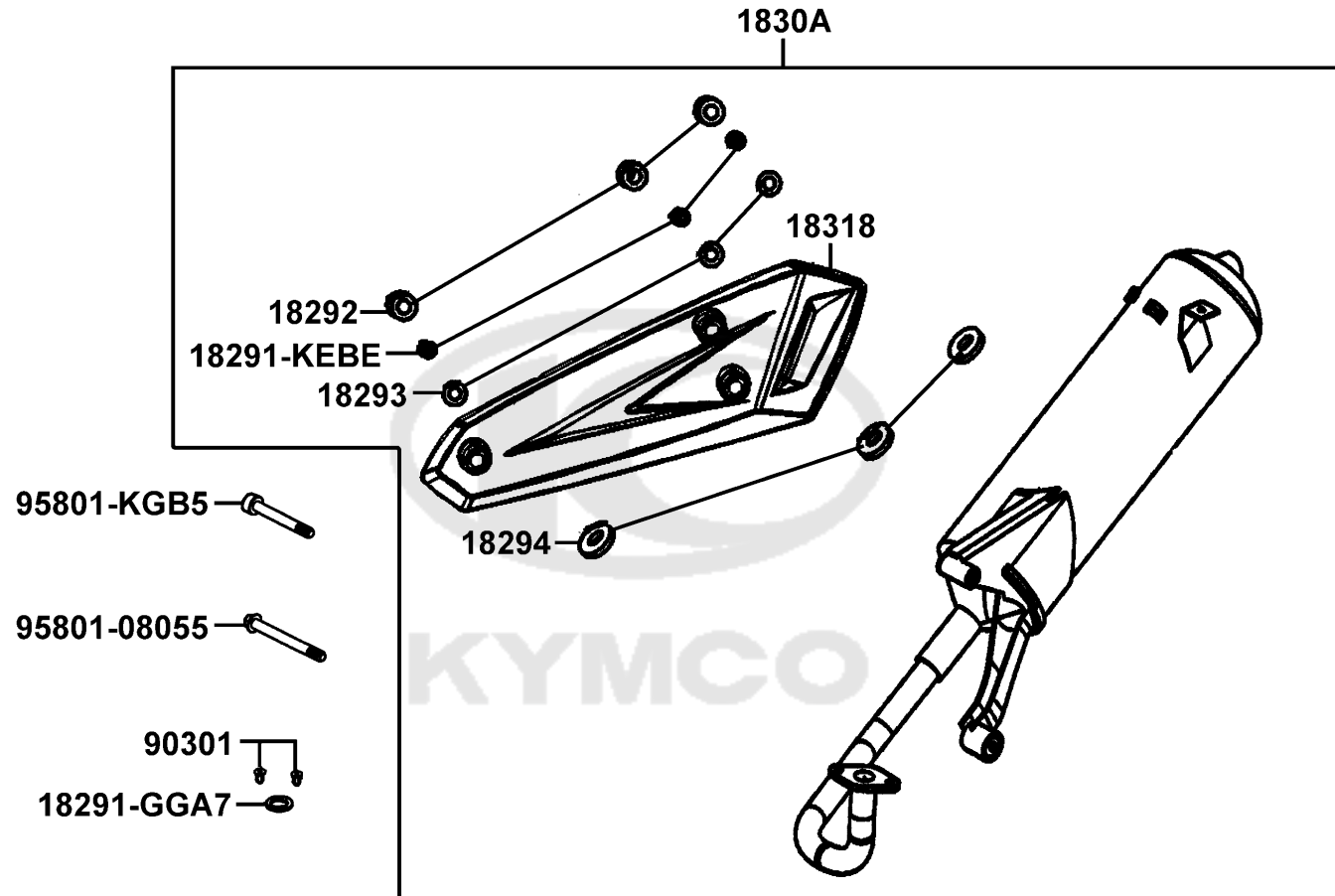




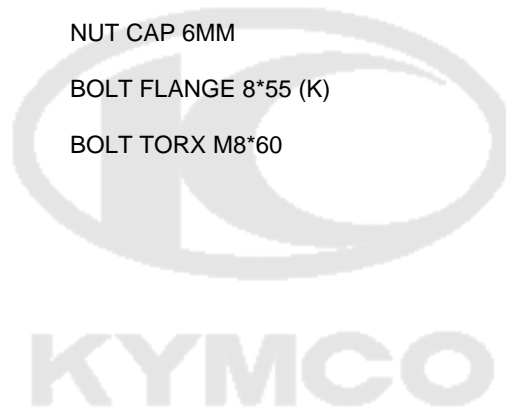
Sales mark	Ref no	Part no	Description	Reg description	Regd no	F12
	77232	77232-KCAC-C00	SET SPG SEAT LOCK	SET SPG SEAT LOCK	1	
	77240	77240-LDC8-E10	CABLE SEAT CATCH	CABLE SEAT CATCH	1	
	77240	77240-LDC8-E10	CABLE SEAT CATCH	CABLE SEAT CATCH	1	
**	80151	80151-LCB9-C10	COVER CENTER	COVER CENTER	1	
	8120A	8120A-LCB9-C10	CARRIER ASSY LUGGER	CARRIER ASSY LUGGER	1	
**	81250	81250-LCB9-C10	BOX LUGGAGE	BOX LUGGAGE	1	
**	81251	81251-LCB9-C10	LID CARB MAINT	LID CARB MAINT	1	
**	83500	83500-LDF6-B20	COVER R BODY	COVER R BODY	1	
**	83600	83600-LDF6-B20	COVER L BODY	COVER L BODY	1	
	90111	90111-1G87-C00	SCREW TAPPING	SCREW TAPPING	1	
	90305	90305-GHK8-C00	NUT CLIP 6MM	NUT CLIP 6MM	1	
	90381	90381-GEZ5-C00	SCREW SPECIAL 6*17	SCREW SPECIAL 6*17	1	
	90683	90683-GAR1-C00	CLIP BODY COVER	CLIP BODY COVER	1	
	93404	93404-06016-07	BOTL WASHER 6*16(K)	BOTL WASHER 6*16(K)	2	
	93903-34380	93903-34380	SCREW TAPPING 4*12 (K)	SCREW TAPPING 4*12 (K)	5	
	93903-GFY6	93903-GFY6-C00	SCREW TAPPING 4*14	SCREW TAPPING 4*14	1	
	95701-08020	95701-08020-07	BOLT FLANGE 8*20 (K)	BOLT FLANGE 8*20 (K)	1	
	95701-08035	95701-08035-07	BOLT FLANGE 8*35	BOLT FLANGE 8*35	2	

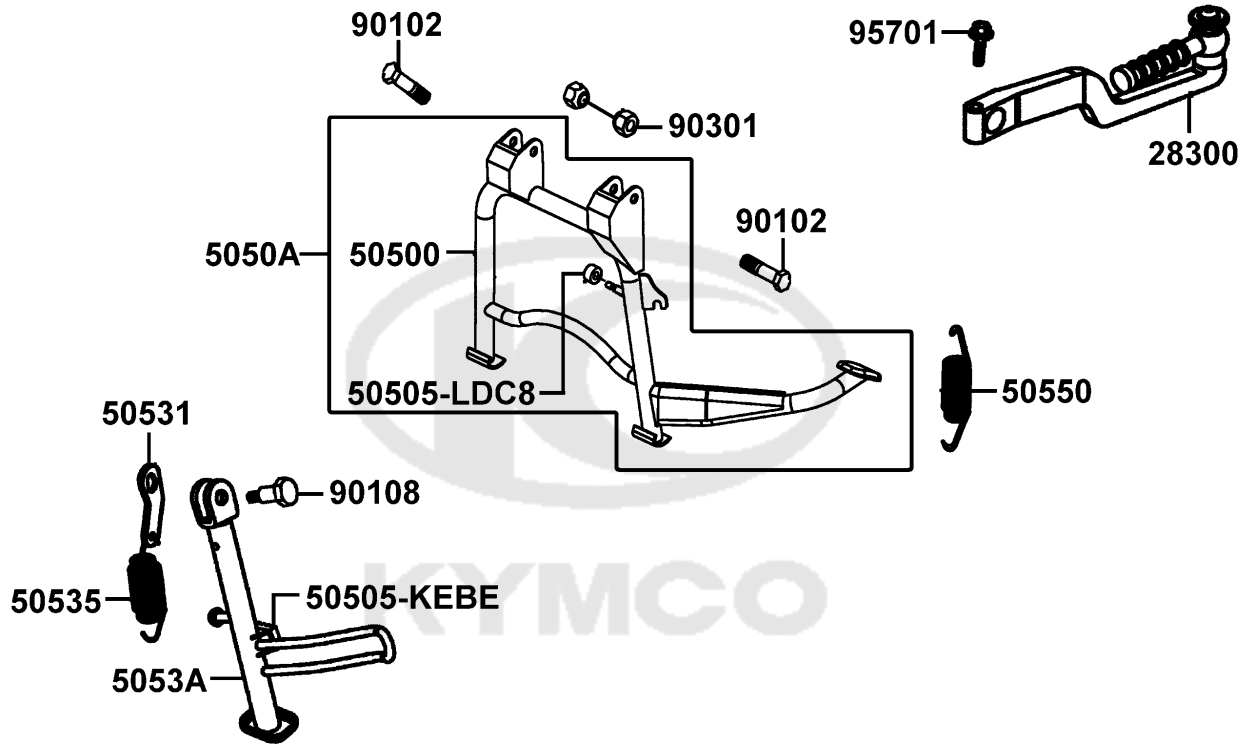


Sales mark	Ref no	Part no	Description	Reg description	Regd no	F13
11211		11211-LBD6-E00	TUBE BREATHER	TUBE BREATHER	1	
17200		17200-LDC8-E11	AIR/C ASSY	AIR/C ASSY	1	
1720A		1720A-LDC8-E11	CASE ASSY AIR/C	CASE ASSY AIR/C	1	
17213		17213-LBD6-E00	SEAL AIR/C ELEMENT	SEAL AIR/C ELEMENT	1	
17214		17214-LBA6-E00	SEAL AIR/C CASE	SEAL AIR/C CASE	1	
17236		17236-KFBF-C00	PLATE	PLATE	1	
1723B		1723B-LBD6-E00	COVER COMP AIRIC	COVER COMP AIRIC	1	
1723C		1723C-LBD6-E00	ELEMENT COMP AIR/C	ELEMENT COMP AIR/C	1	
17257		17257-LDC8-E00	DUCT AIR/C COVER	DUCT AIR/C COVER	1	
19411		19411-KNBN-C10	CLIP HOSE	CLIP HOSE	1	
32161		32161-4D04-001	BAND BI WIRE	BAND BI WIRE	2	
93903		93903-25480	SCREW TAPPING 5*20 (K)	SCREW TAPPING 5*20 (K)	7	
95701-06032		95701-06032-08	BOLT FLANGE 6*32 (C)	BOLT FLANGE 6*32 (C)	1	
95701-06035		95701-06035-08	BOLT FLANGE 6*35 (C)	BOLT FLANGE 6*35 (C)	1	



Sales mark	Ref no	Part no	Description	Reg description	Regd no	F14
	18291-GGA7	18291-GGA7-080	GASKET EXH PIPE	GASKET EXH PIPE	1	
	18291-KEBE	18291-KEBE-C00	COLLAR	COLLAR	6	
	18292	18292-KEBE-C00	PACKING PROTECTOR	PACKING PROTECTOR	6	
	18293	18293-KEBE-C00	RUBBER PRK PROTR	RUBBER PRK PROTR	3	
	18294	18294-KEBE-C00	PACKING PROTECTOR	PACKING PROTECTOR	9	
	1830A	1830A-LGB5-E10	MUFFLER ASSY EXH	MUFFLER ASSY EXH	1	
	18318	18318-LDA6-B80	PROTECTOR MUFFLER	PROTECTOR MUFFLER	2	
	90301	90301-KGBG-C00	NUT CAP 6MM	NUT CAP 6MM	1	
	95801-08055	95801-08055-07	BOLT FLANGE 8*55 (K)	BOLT FLANGE 8*55 (K)	1	
	95801-KGB5	95801-KGB5-C00	BOLT TORX M8*60	BOLT TORX M8*60	1	



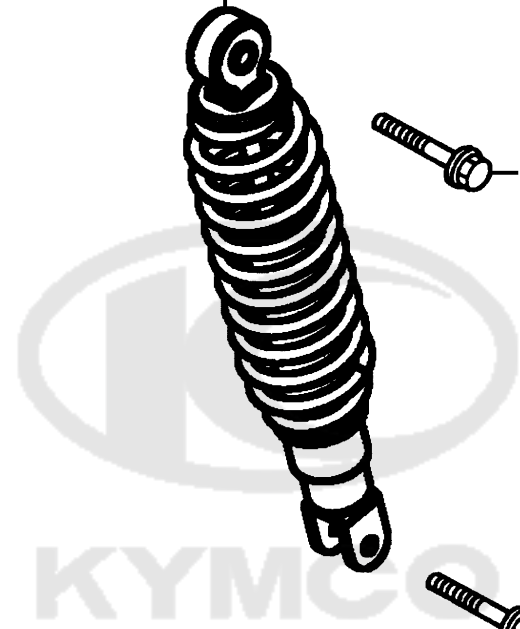


Sales mark	Ref no	Part no	Description	Reg description	Regd no	F15
28300		28300-KNBN-C00	"ARM ASSY., KICK STARTER"	"ARM ASSY., KICK STARTER"	1	
50500		50500-LDC8-E10	STAND COMP MAIN	STAND COMP MAIN	1	
50505-KEBE		50505-KEBE-900	STOPPER RUBBER	STOPPER RUBBER	1	
50505-LDC8		50505-LDC8-E10	STOPPER RUBBER	STOPPER RUBBER	1	
5050A		5050A-LDC8-E10	STAND COMP MAIN	STAND COMP MAIN	1	
50531		50531-KEB7-C00	PLATE SPRING STOPPER	PLATE SPRING STOPPER	1	
50535		50535-KEB7-W10	SPRING COMP SIDE STAND	SPRING COMP SIDE STAND	1	
5053A		5053A-LDC8-E10	STAND ASSY SIDE	STAND ASSY SIDE	1	
50550		50550-KEB7-C00	SPG ASSY MAIN STAND	SPG ASSY MAIN STAND	2	
90102		90102-GLE0-001	BOLT HINGE PIVOT	BOLT HINGE PIVOT	1	
90108		90108-KEB7-E00	SCREW SIDE STAND PIVOT	SCREW SIDE STAND PIVOT	2	
90301		90301-4C73-C00	WASHER	WASHER	1	
95701		95701-06022-07	BOLT FLANGE 6*22 (K)	BOLT FLANGE 6*22 (K)	1	

52400

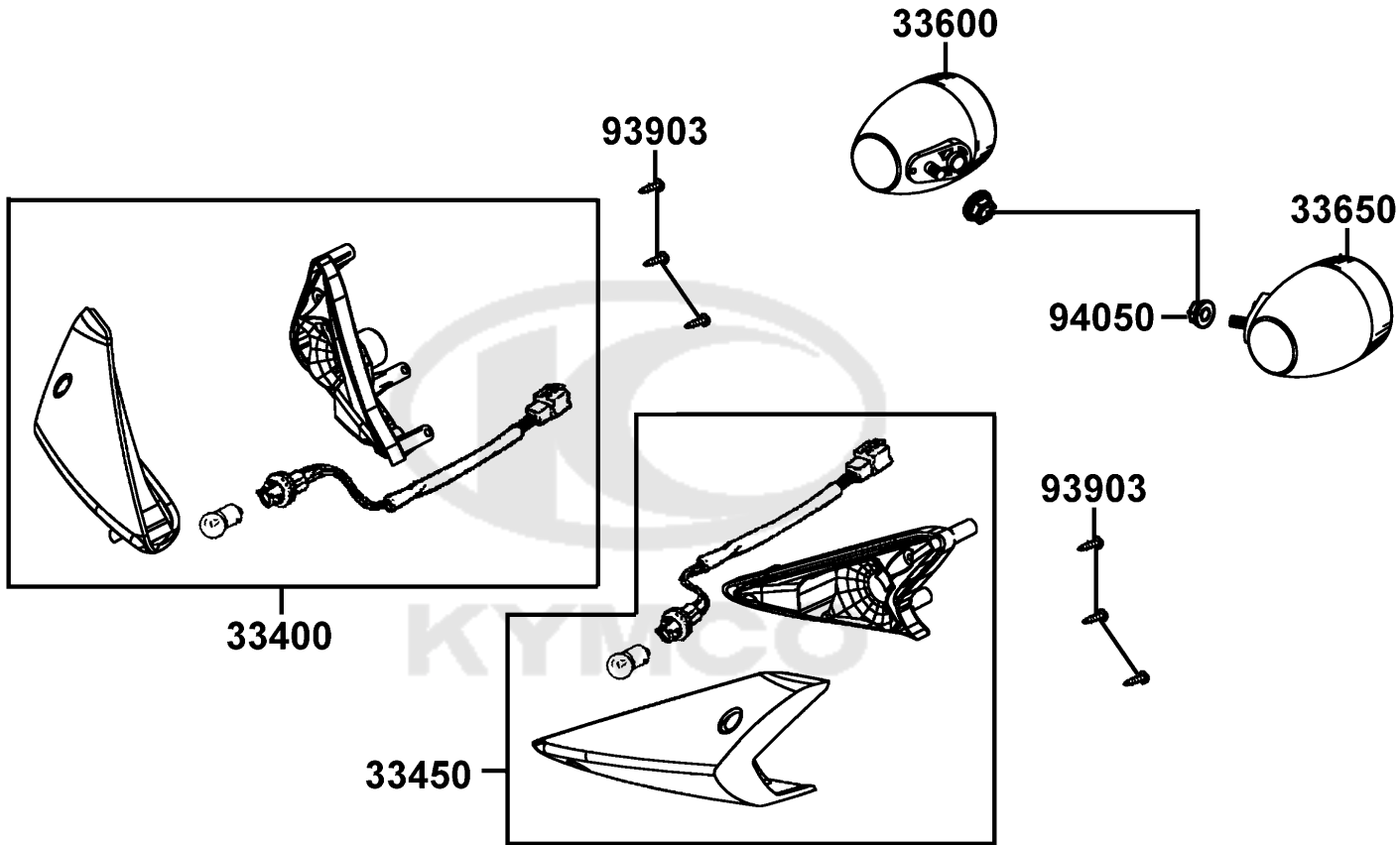
95801-08032


95801-10035

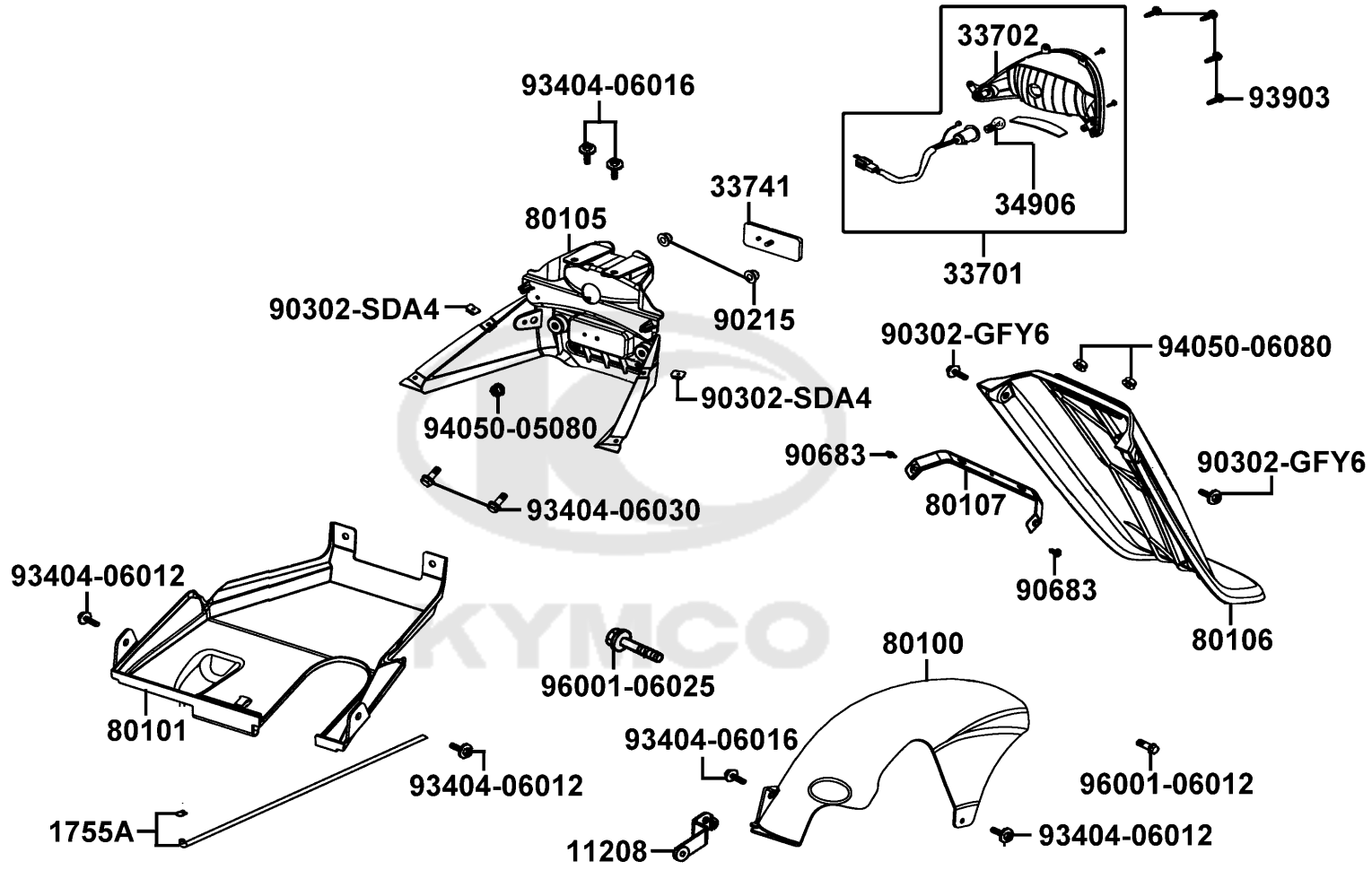


Sales mark	Ref no	Part no	Description	Reg description	Regd no	F16
**	52400	52400-LDC8-E10	CUSHION ASSY RR	CUSHION ASSY RR	1	
	95801-08032	95801-08032-08	BOLT FLANGE 8*32	BOLT FLANGE 8*32	1	
	95801-10035	95801-10035-08	BOLT FLANGE 10*35 (C)	BOLT FLANGE 10*35 (C)	1	




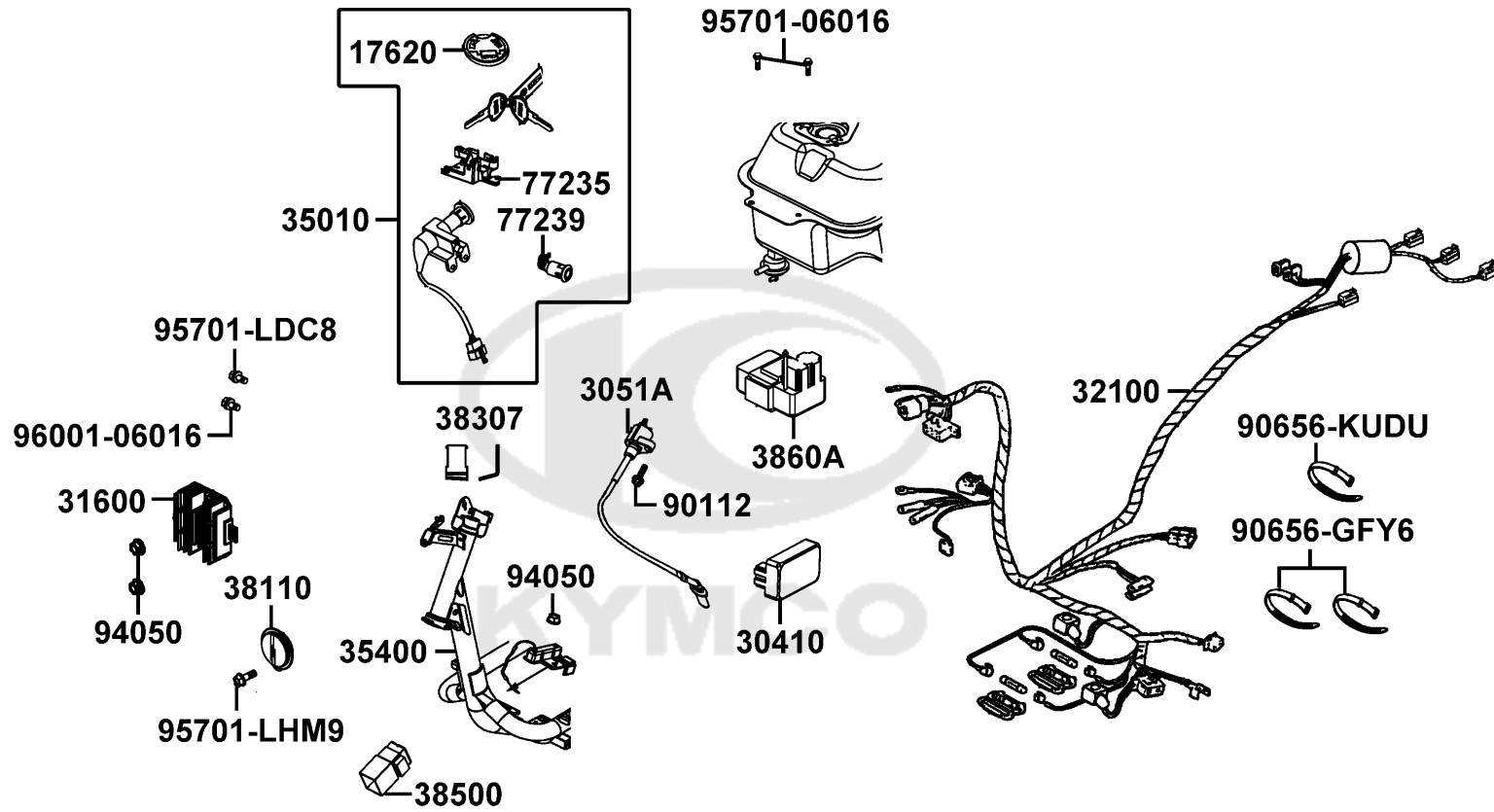


Sales mark	Ref no	Part no	Description	Reg description	Regd no	F17
	33400	33400-LGB5-E10	WINKER ASSY R FR	WINKER ASSY R FR	1	
	33450	33450-LGB5-E10	WINKER ASSY L FR	WINKER ASSY L FR	1	
	33600	33600-LDC8-E10	WINKER ASSY L FR	WINKER ASSY L FR	1	
	33650	33650-LDC8-E10	WINKER ASSY RH RR	WINKER ASSY RH RR	1	
	93903	93903-34380	SCREW TAPPING 4*12 (K)	SCREW TAPPING 4*12 (K)	12	
	94050	94050-05080	NUT FLANGE 5MM	NUT FLANGE 5MM	2	
						



Sales mark	Ref no	Part no	Description	Reg description	Regd no	F18
	11208	11208-LBD6-C00	STAY RR TIRE FENDER	STAY RR TIRE FENDER	1	
	1755A	1755A-LDC8-E10	TUBE ASSY FUEL DRAIN	TUBE ASSY FUEL DRAIN	1	
	33701	33701-LDC8-E10	UNIT TAIL LIGHT	UNIT TAIL LIGHT	1	
	33702	33702-LDC8-E10	LENS TAIL LIGHT	LENS TAIL LIGHT	1	
	33741	33741-KEBE-C00	REFLEX REFLECTOR	REFLEX REFLECTOR	1	
	34906	34906-LBA8-E80	BULB TAIL LIGHT	BULB TAIL LIGHT	1	
**	80100	80100-LDC8-E10	FENDER RR TIRE	FENDER RR TIRE	1	
**	80101	80101-LCB9-C10	FENDER RR INNER	FENDER RR INNER	1	
**	80105	80105-LDC8-E10	FENDER RR	FENDER RR	1	
**	80106	80106-LDC8-E10	FENDER RR LOW	FENDER RR LOW	1	
	80107	80107-LDC8-E10	STAY RR FENDER	STAY RR FENDER	1	
	90215	90215-KKC4-C00	NUT CAP 6MM	NUT CAP 6MM	1	
	90302-GFY6	90302-GFY6-C10	BOLT-WASH 5*16	BOLT-WASH 5*16	1	
	90302-SDA4	90302-SDA4-C00	"NUT,SPPING 4MM"	"NUT,SPPING 4MM"	1	
	90683	90683-GAR1-C00	CLIP BODY COVER	CLIP BODY COVER	1	
	93404-06012	93404-06012-07	BOLT WASHER 6*12 (K)	BOLT WASHER 6*12 (K)	3	
	93404-06016	93404-06016-07	BOTL WASHER 6*16(K)	BOTL WASHER 6*16(K)	3	
	93404-06030	93404-06030-07	BOLT WASHER 6*30K	BOLT WASHER 6*30K	2	
	93903	93903-34380	SCREW TAPPING 4*12 (K)	SCREW TAPPING 4*12 (K)	4	
	94050-05080	94050-05080	NUT FLANGE 5MM	NUT FLANGE 5MM	1	

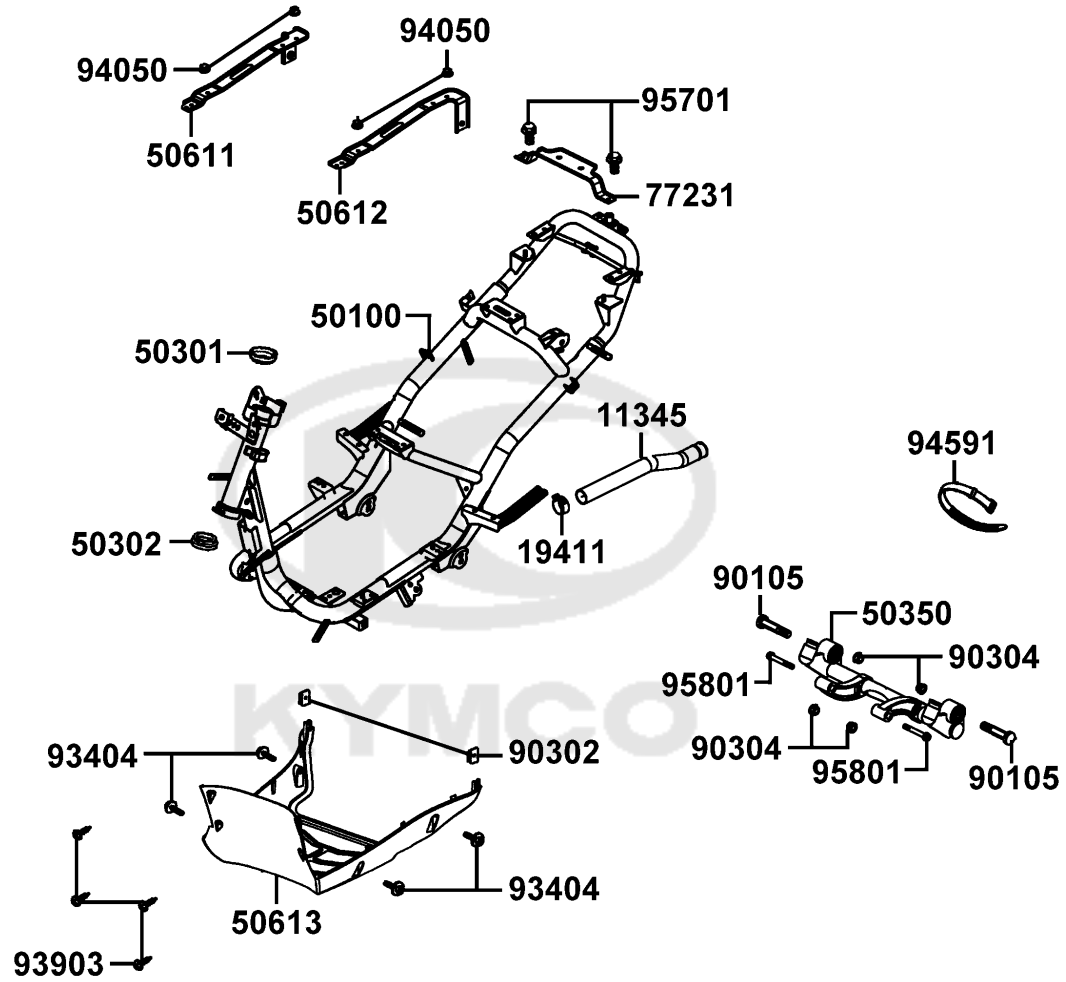
Sales mark	Ref no	Part no	Description	Reg description	Regd no	F18
	94050-06080	94050-06080	NUT FLANGE 6MM (C)	NUT FLANGE 6MM (C)	2	
	96001-06012	96001-06012-08	BOLT FLANGE SH 6*12 (C)	BOLT FLANGE SH 6*12 (C)	1	
	96001-06025	96001-06025-08	BOLT FLANGE SH 6*25 (C)	BOLT FLANGE SH 6*25 (C)	1	
						



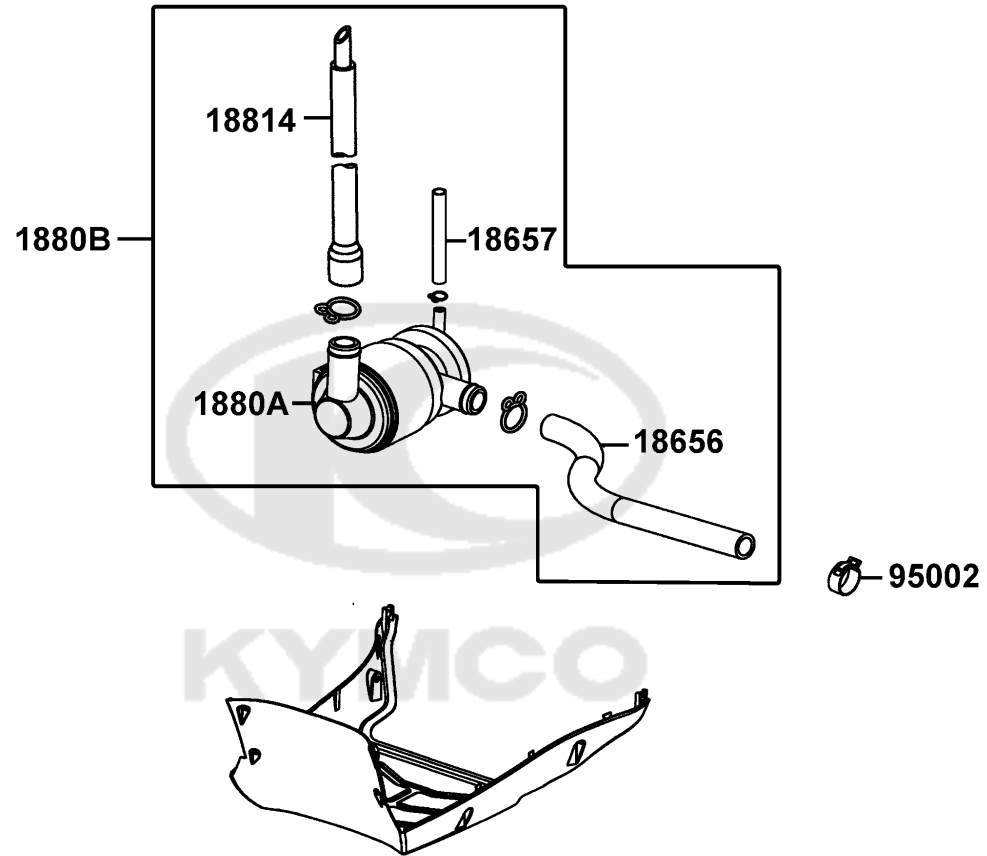
Sales mark	Ref no	Part no	Description	Reg description	Regd no	F19
	17620	17620-LDF7-E10	CAP COMP FUEL FILLER	CAP COMP FUEL FILLER	1	
	30410	30410-LEJ2-E10	"UNIT COMP.,CDI"	"UNIT COMP.,CDI"	1	
	3051A	3051A-KHC4-C00	COIL ASSY IGN	COIL ASSY IGN	1	
	31600	31600-LCD3-C00	REG REC COMP(DC)	REG REC COMP(DC)	1	
	32100	32100-ALA9-E70	REG.REC.COMP.	REG.REC.COMP.	1	
	35010	35010-ALA9-E70	KEY SET	KEY SET	1	
	35400	35400-LEJ2-E10	RESISTOR COMP	RESISTOR COMP	1	
	38110	38110-LHM9-E10	HORN COMP	HORN COMP	1	
	38307	38307-LHM9-E60	"STAY,WINKER RELAY"	"STAY,WINKER RELAY"	1	
	38500	38500-KKDK-C00	RELAY ASSY START	RELAY ASSY START	1	
	3860A	3860A-ALA9-E70	CONTROL ASSY LIGHTING	CONTROL ASSY LIGHTING	1	
	77235	77235-KGC4-C00	SEAT CATCH	SEAT CATCH	1	
	77239	77239-GFY6-C00	KEY SEAT LOCK	KEY SEAT LOCK	1	
	90112	90112-KRDR-C00	SCREW LOCK	SCREW LOCK	1	
	90656-GFY6	90656-GFY6-911	BAND OIL HOSE	BAND OIL HOSE	2	
	90656-KUDU	90656-KUDU-900	BAND HARNESS WIRE	BAND HARNESS WIRE	1	
	94050	94050-06080	NUT FLANGE 6MM (C)	NUT FLANGE 6MM (C)	3	
	95701-06016	95701-06016-08	BOLT FLANGE 6*16 (C)	BOLT FLANGE 6*16 (C)	2	
	95701-LDC8	95701-LDC8-E10	BOLT TORQUE 6X16	BOLT TORQUE 6X16	1	
	95701-LHM9	95701-LHM9-E60	BOLT FLANGE 8*12 (C)	BOLT FLANGE 8*12 (C)	1	


Sales mark	Ref no	Part no	Description	Reg description	Regd no	F19
96001	96001-06016-08	96001-06016-08	BOLT FLANGE SH 6*16 (C)	BOLT FLANGE SH 6*16 (C)	1	

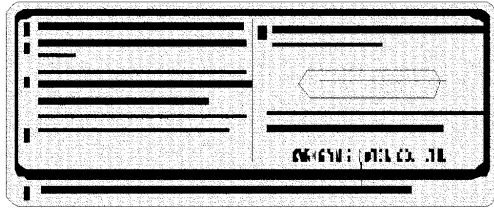




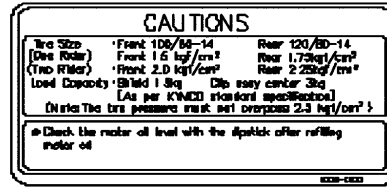
Sales mark	Ref no	Part no	Description	Reg description	Regd no	F20
	11345	11345-ALA9-E70	DUCT L COVER	DUCT L COVER	1	
	19411	19411-KNBN-C10	CLIP HOSE	CLIP HOSE	1	
	50100	50100-ALA9-E70	BODY COMP FRAME	BODY COMP FRAME	1	
	50301	50301-GLM0-C00	RACE UPPER STRG BALL	RACE UPPER STRG BALL	1	
	50302	50302-2H68-C00	RACE (STRG BOT) BALL	RACE (STRG BOT) BALL	1	
	50350	50350-LDC8-E10	HANGER ASSY ENG	HANGER ASSY ENG	1	
	50611	50611-LCB9-C10	RNFCT R FLOOR	RNFCT R FLOOR	1	
	50612	50612-LCB9-C10	RNFCT L FLOOR	RNFCT L FLOOR	1	
**	50613	50613-LCB9-C11	COVER UNDER	COVER UNDER	1	
	77231	77231-LCB9-C10	STAY SEAT RUBBER	STAY SEAT RUBBER	1	
	90105	90105-LDC8-E10	SQUARE BOLT M10*50	SQUARE BOLT M10*50	2	
	90302	90302-SDA4-C00	"NUT,SPPING 4MM"	"NUT,SPPING 4MM"	1	
	90304	90304-GHE8-C00	NUT U 10MM(C)	NUT U 10MM(C)	1	
	93404	93404-06016-07	BOTL WASHER 6*16(K)	BOTL WASHER 6*16(K)	4	
	93903	93903-34380	SCREW TAPPING 4*12 (K)	SCREW TAPPING 4*12 (K)	4	
	94050	94050-06080	NUT FLANGE 6MM (C)	NUT FLANGE 6MM (C)	4	
	94591	94591-11000	CLIP 1*100	CLIP 1*100	2	
	95701	95701-06012-08	BOLT FLANGE 6*12 (C)	BOLT FLANGE 6*12 (C)	2	
	95801	95801-10070-08	BOLT FLANGE 10*70 (C)	BOLT FLANGE 10*70 (C)	1	



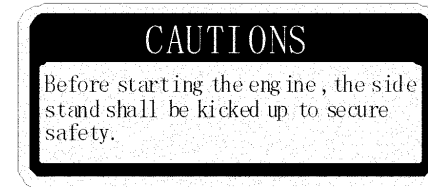
Sales mark	Ref no	Part no	Description	Reg description	Regd no	F21
18656		18656-LDC8-E10	DUCT AICV-REED VALVE	DUCT AICV-REED VALVE	1	
18656		18656-LDC8-E10	DUCT AICV-REED VALVE	DUCT AICV-REED VALVE	1	
18657		18657-LDC8-E10	TUBE ASSY AICV-INNET PIPE	TUBE ASSY AICV-INNET PIPE	1	
1880A		1880A-LDC8-E10	AI/C-AICV ASSY	AI/C-AICV ASSY	1	
1880B		1880B-LDC8-E10	AI/C-AICV SET	AI/C-AICV SET	1	
18814		18814-LDC8-E10	DUCT ASSY AIR-AICV	DUCT ASSY AIR-AICV	1	
95002		95002-KKD6-C00	CLAMP D18 TUBE	CLAMP D18 TUBE	1	
						



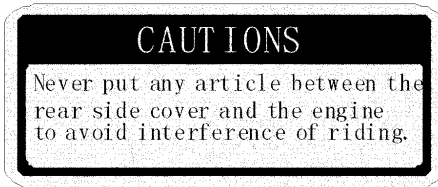
87560



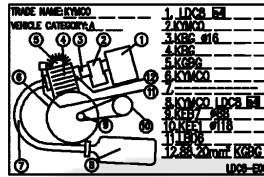
87505



87541-GAR1



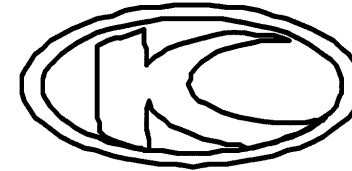
87542



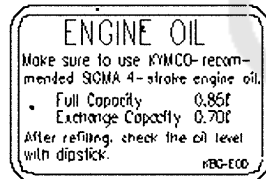
87224



87160



86102



87541-KGBG



86221



86231



86732



86733



86734



86735

Sales mark	Ref no	Part no	Description	Reg description	Regd no	F22
**	86102	86102-KFA6-C10	EMB K-LOGO 30MM	EMB K-LOGO 30MM	1	
**	86221	86221-ALA9-E70	STRIPE R BODY COVER	STRIPE R BODY COVER	1	
**	86231	86231-ALA9-E70	STRIPE L BODY COVER	STRIPE L BODY COVER	1	
**	86732	86732-ALA9-E70	STRIPE R LEG SHIELD	STRIPE R LEG SHIELD	1	
**	86733	86733-ALA9-E70	STRIPE L LEG SHIELD	STRIPE L LEG SHIELD	1	
**	86734	86734-ALA9-E70	STRIPE B R LEG SHIELD	STRIPE B R LEG SHIELD	1	
**	86735	86735-ALA9-E70	STRIPE B L LEG SHIELD	STRIPE B L LEG SHIELD	1	
**	87160	87160-LDC8-E90	STRIPE KYMCO	STRIPE KYMCO	2	
**	87224	87224-ALA9-E70	CAUTION ANTI TAMPERING	CAUTION ANTI TAMPERING	1	
**	87505	87505-LDC8-E10	LABEL TIRE	LABEL TIRE	1	
**	87541-GAR1	87541-GAR1-C01	MARK MAINT CAUTION L	MARK MAINT CAUTION L	1	
**	87541-KGBG	87541-KGBG-E00	LABEL OIL CAP	LABEL OIL CAP	1	
**	87542	87542-GAR1-E01	MARK MAINT CAUTION	MARK MAINT CAUTION	1	
**	87560	87560-GFY6-E11	MARK DRIVE CAUTION	MARK DRIVE CAUTION	1	